

markilux® 791/891
The Drop-arm Awning with Autolift Arms

Drop-arm Awning with autolift arms markilux® 791/891

The gas piston arms of the markilux® 730/830 are replaced by autolift arms. This makes it possible to achieve a maximum amount of headroom.



The markilux® 791 during extension



The markilux® 891 during extension

Special accessories:

Electric operation and
automatic controls
Interior operation

- sturdy, self-supporting cassette
- one-piece, rigid cassette profile which allows unlimited face and top fixture
- manual operation with universally jointed coupling and bayonet fitting
- alternatively a tubular motor with electronic limit switching is available
- covers can be made of stiched Perfotex, seamless or stitched acrylic, sunsilk and transolair fabrics or Soltis 92
- manual operation from inside the building is also available on smaller unit sizes.

Special arms for the markilux®-791/ 891 Lead time approx. 6 weeks

Drop-arm Cassette Awning

(with autolift arms)

markilux® 791 = square cassette

markilux® 891 = round cassette



Dimensions	Stand. widths in cm.	75	100	125	150	175	200	225	250	275	300	350	400	450	500	550	600	650	700	Approx. extension time in sec. ¹⁾			
	Cover length in cm																			Standard motor	Rad.-contr. motor		
	200																			31	31		
	arm length 150 cm																						
	arm length 200 cm																						
		2 universal brackets										3 universal brackets		3 arms, 3 universal brackets, nylon roller support (the cover is split in the middle)								17 rpm ²⁾	17 rpm ²⁾

1) N.B. Motor stops automatically after 3 - 4 minutes use to prevent overheating.

2) **Nominal RPM** (In the case of contract awnings the same speed of rotation of the motors cannot be guaranteed)
The fabric length visible when the awning is extended is not the same as the nominal cover length (v.p. 791/891-4)

Available Accessories	Manual operation; winding handle with funnel connector; handle lengths: 110, 140, 160, 180, 220 cm.	<input checked="" type="checkbox"/>	gear is fitted with a universal joint and mounted inside the cassette
		Interior manual operation**	<input checked="" type="checkbox"/>
	Electric operation	<input checked="" type="checkbox"/>	
	Frame polyester powder coated as standard in colour*	<input checked="" type="checkbox"/>	
	Cover made from a brand make of acrylic fibre sunsilk or Perfortex	<input checked="" type="checkbox"/>	
	swela transolair	<input checked="" type="checkbox"/>	
	SOLTIS 92	<input checked="" type="checkbox"/>	seamless covers up to a drop of 170 cm. larger drops have a horizontal seam from an awning width of 178 cm.

Not available: fabric series 364xx, PVC fabrics (ERA, Mehler etc.)

* White: RAL 9016, brown: RAL 8019, metallic aluminium: RAL 9006. Other RAL colours are available. Lead times will be given on request.

** This operation type demands exact fixture and generally speaking is more expensive for the end consumer. We suggest therefore, that a radio-controlled motor be recommended to the customer.

The markilux 791/891 is only available from a width of 401 cm with a motor and is not available as a coupled width.

Smallest awning width

Standard motor	75 cm
Radio-controlled motor	75 cm

Manual operation (gearbox types used)

	eye	gear reduction	end-stop with/without	worm gear	articulated joint	order number
Standard	<input checked="" type="checkbox"/>	6 : 1	<input checked="" type="checkbox"/>	<input checked="" type="checkbox"/>		713400
Interior operation		6 : 1	<input checked="" type="checkbox"/>	<input checked="" type="checkbox"/>	<input checked="" type="checkbox"/>	781200
operation from the rear	<input checked="" type="checkbox"/>	6 : 1	<input checked="" type="checkbox"/>	<input checked="" type="checkbox"/>		786921

Motors drive
with electronic torque limit switching in both directors

	Order No.
Standard motor for single unit up to 400 cm width	706781 „R“ 706771 „L“
Standard motor for single unit from 401 cm width	706681 „R“ 706691 „L“
Rad.-control motor for single unit up to 400 cm width	763321
Rad.-control motor for single unit from 401 cm width	763331

Possible dimensional variations: (in mm.)

Overall awning dimensions	Standard widths		Intermediate widths	
	Motor	Gear	Motor	Gear
Tolerances in the width	+ 0 / - 10		+ 0 / - 10	
Tolerances in the extension	+ 20 / - 20		+ 20 / - 20	

Awning cover sizes: (in mm.)

	Motor	Gear
Cover width = (deduct from awning width)	70	90
Cover length = (add to awning extension)	0	0

Awning cover tolerances: (in mm.)

(Tolerances in the width and length of the cover)	From	To	Tolerances
	0	2000	+ 5 / - 5
	2010	4000	+ 8 / - 8
	4010	6000	+ 12 / - 12
	6010	7000	+ 15 / - 15

N.B. Measure carefully! We will not take awnings back because of incorrect size. Awnings are made to measure. If coupled awnings or blinds are to be fitted into a recess or between two walls the overall width of the coupled awning must be 6 cm less than the width of the opening to allow the awnings/blinds to be coupled together. Make a special note if an awning is to be fitted into a reveal, and note the reveal width separately. **The operation side should be given as if viewed from the outside.** Please consult the special notes contained in the general information/markilux® fabric collections. We reserve the right to make alterations to our products without giving prior notice.

Drop-arm Cassette Awning





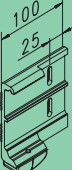

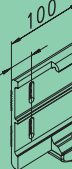

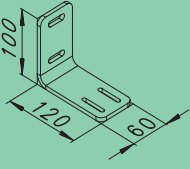
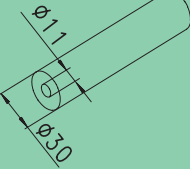
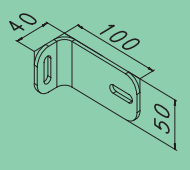
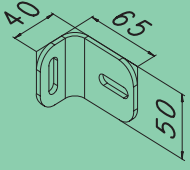
(with autolift arms)

markilux® 791 = square cassette

markilux® 891 = round cassette



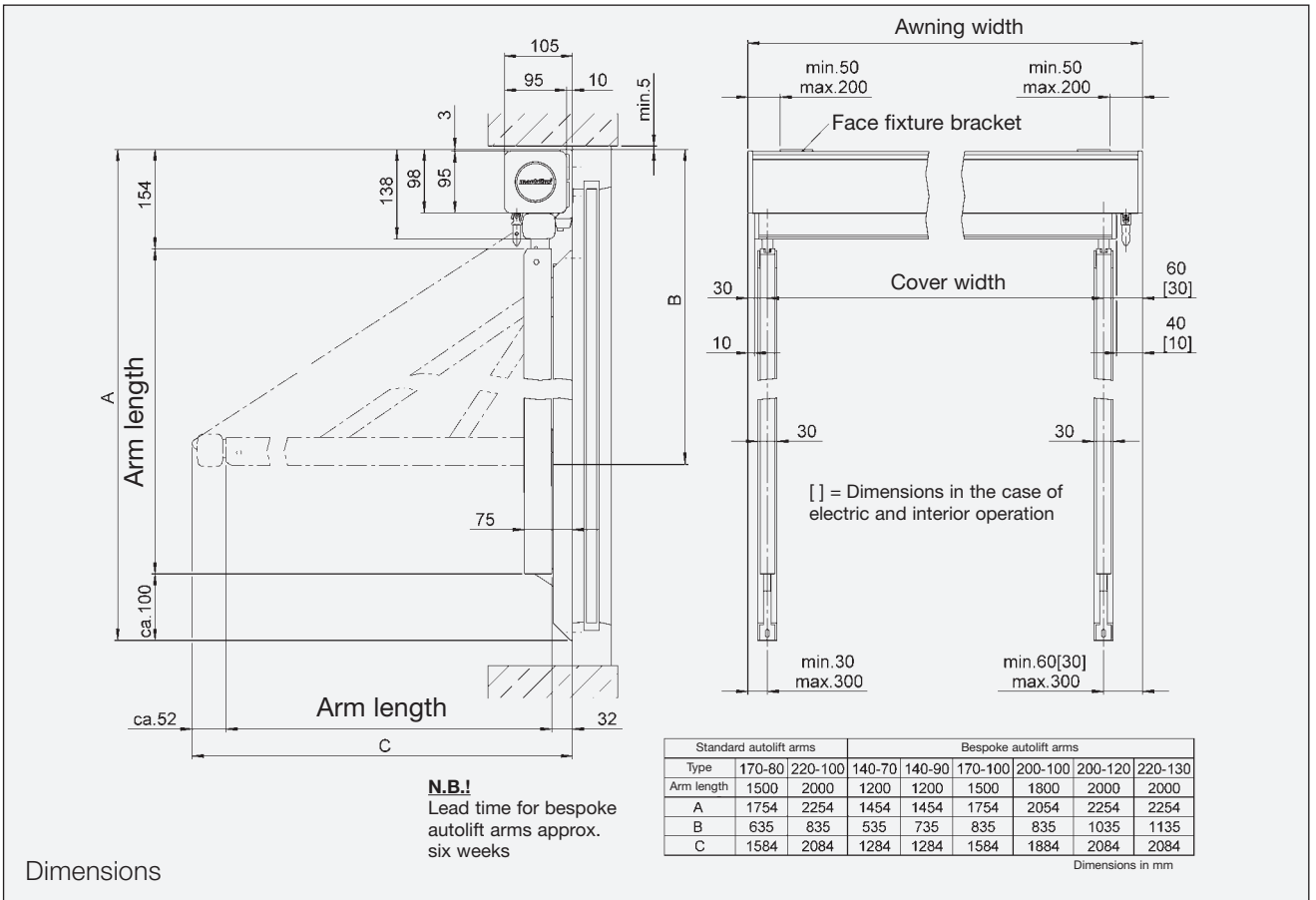
Fixtures and Accessories

markilux® 791			markilux® 891		
Part	Description	Part No.	Part	Description	Part No.
	Face fixture bracket assembly 50 mm	78797.		Face fixture bracket assembly 50 mm	78726.
	Universal bracket assembly 50 mm (in the case of top fixture)	78758.		Top fixture bracket assembly 50 mm	78727.
	Face fixture assembly with plate "RH" for lateral fixture	78920. N.B.! Not for operation side: - Interior operation - Operation from the rear		Face fixture assembly with plate "RH" for lateral fixture	78748. N.B.! Not for operation side: - Interior operation - Operation from the rear
	Face fixture assembly with plate "LH" for lateral fixture	78921. N.B.! Not for operation side: - Interior operation - Operation from the rear		Face fixture assembly with plate "LH" for lateral fixture	78749. N.B.! Not for operation side: - Interior operation - Operation from the rear
markilux® 791 and markilux® 891					
	Angled plate for reveal fixture 120 x 100 x 60 mm	77220.		Stand-off tube 30 x 9.5 mm N.B.! max. stand-off distance = 120 mm	701668
	Angled plate for lateral arm Gearbox side 100 x 40 x 125 mm	78928.		Angled plate for lateral arm fixture Bearing/motor side 65 x 40 x 125 mm	78929.

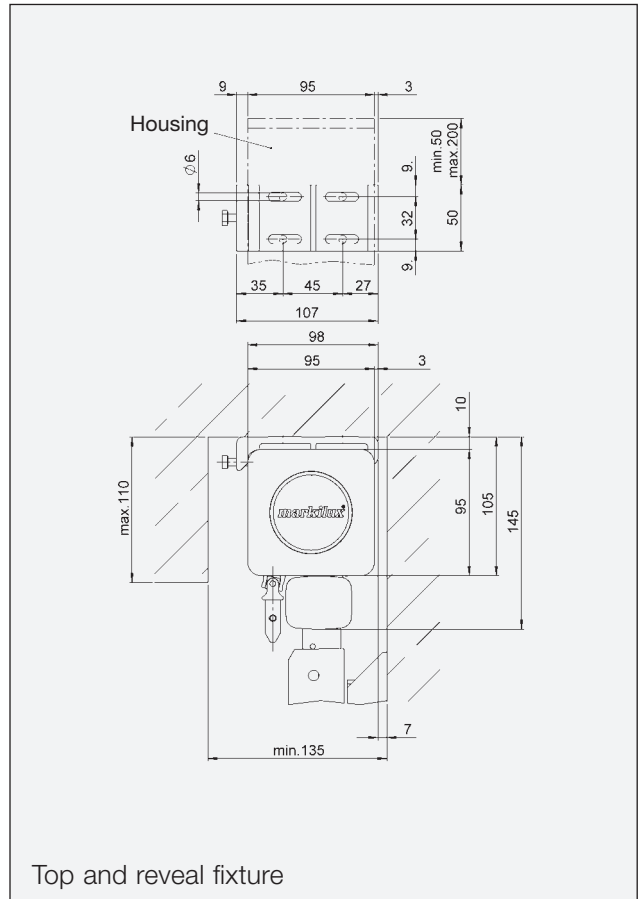
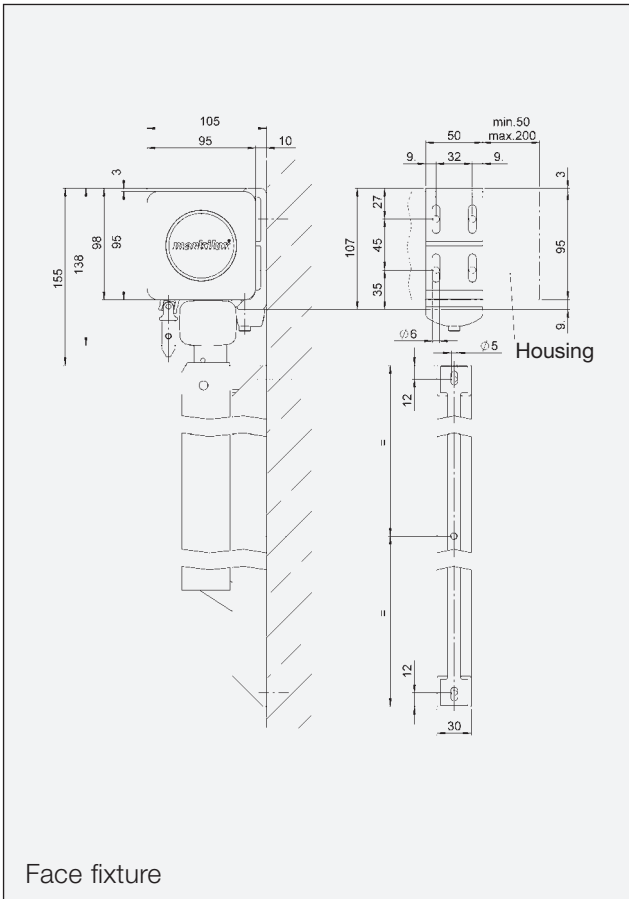
. = insert RAL colour code no.

We reserve the right to make alterations without giving prior notice.

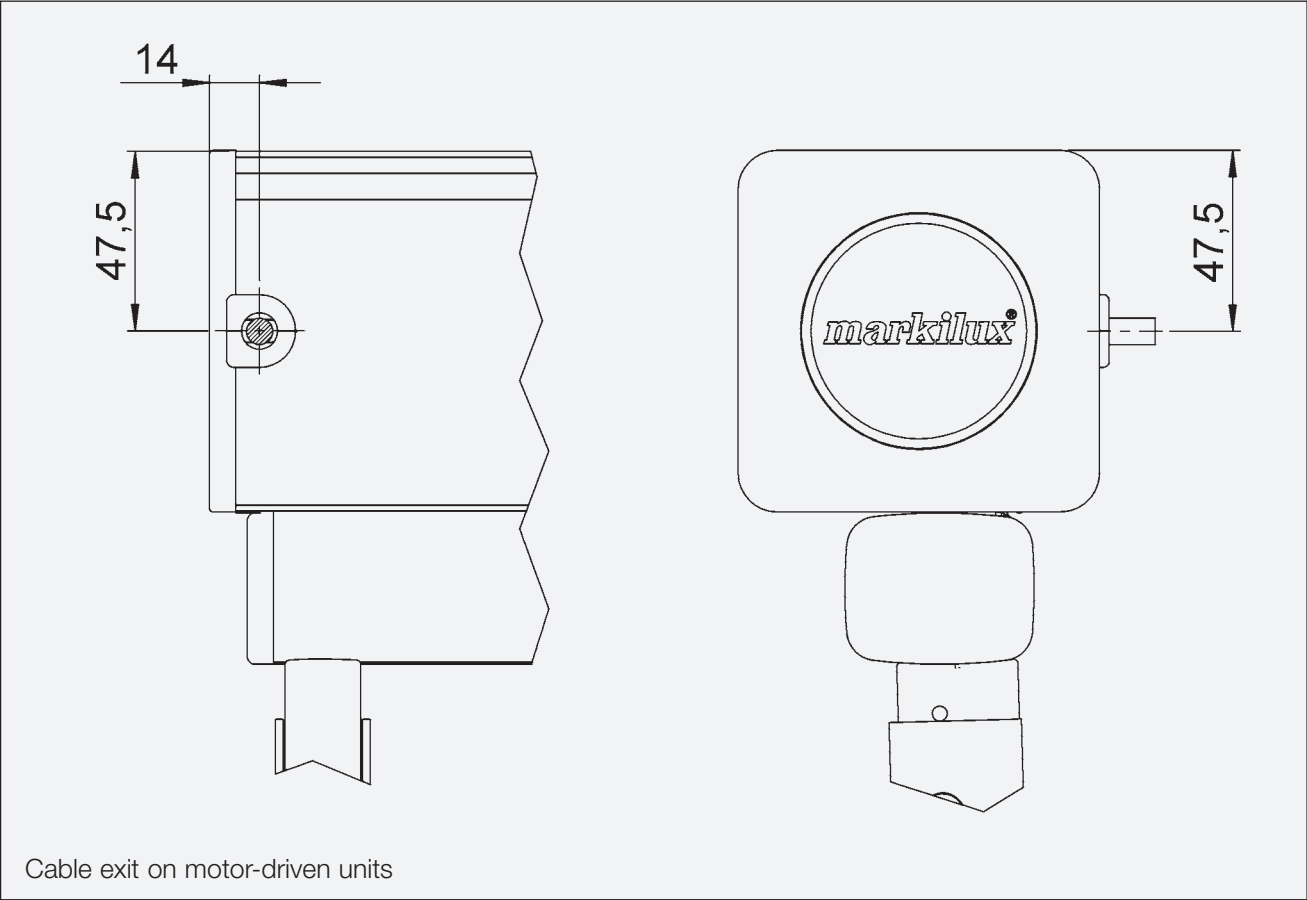
How to fit the Drop-arm Cassette Awning markilux® 791:



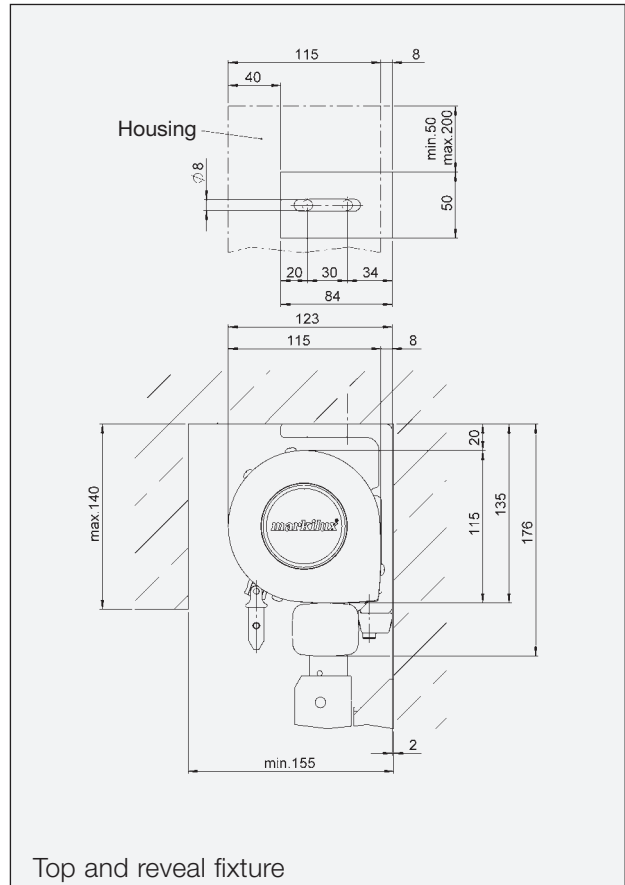
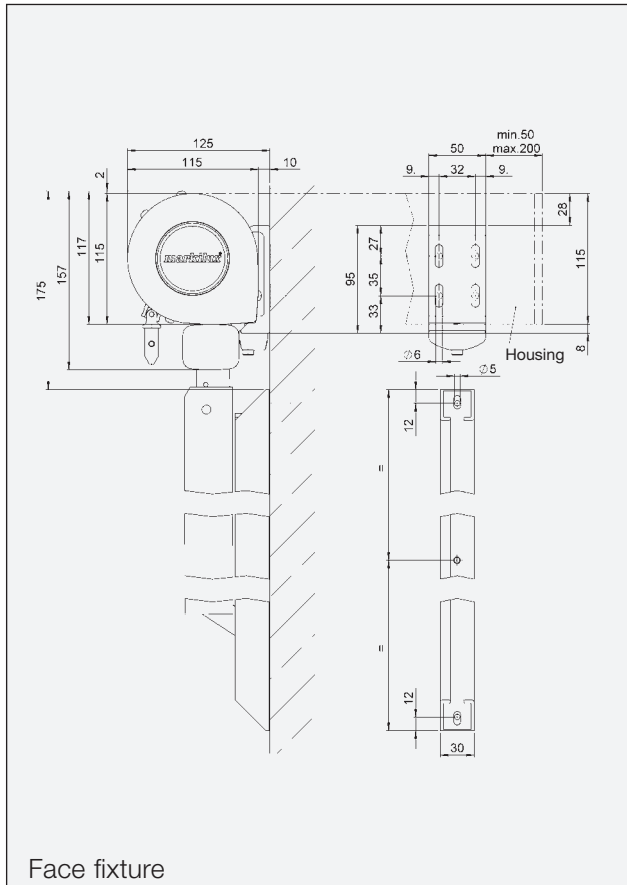
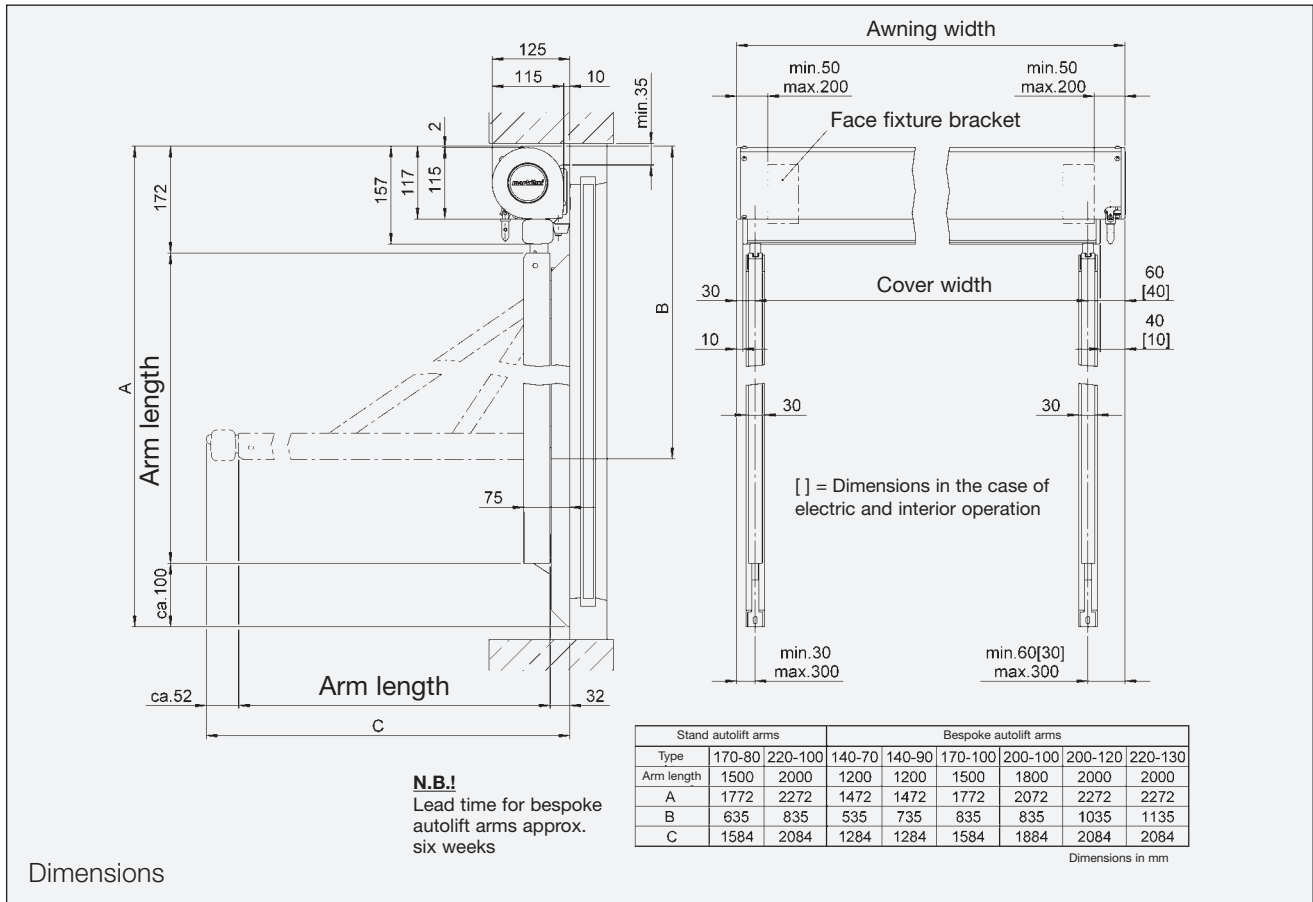
Dimensions



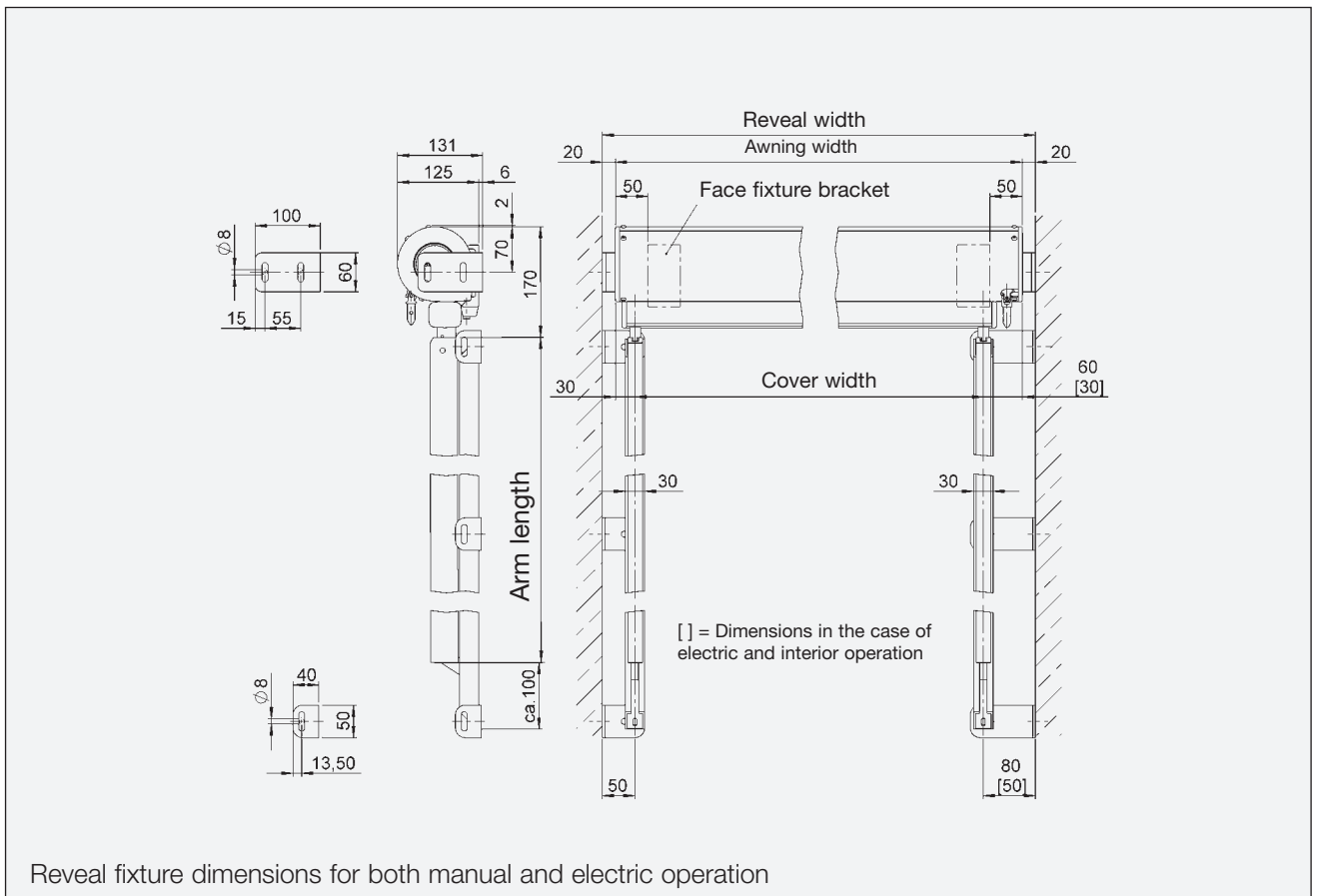
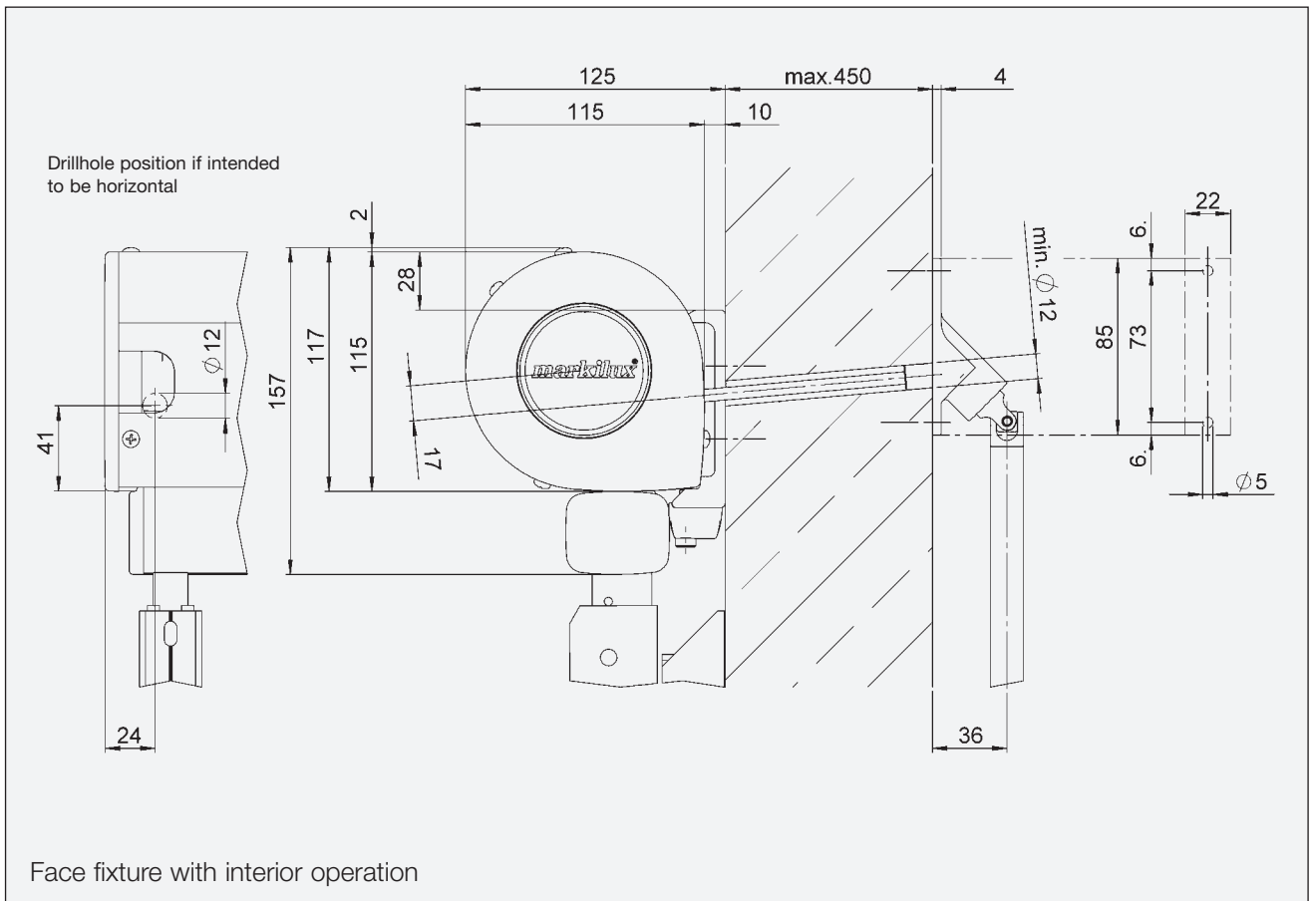
How to fit the Drop-arm Cassette Awning markilux® 791:



How to fit the Drop-arm Cassette Awning markilux® 891:



How to fit the Drop-arm Cassette Awning markilux® 891:



How to fit the Drop-arm Cassette Awning markilux® 891:

