

markilux® 8000

The Conservatory Awning with the Proven Design

The markilux® 8000 Conservatory Awning



The markilux® 8000 is available with Perfotex or transolair material, specially developed for conservatory awnings (v. photos on pp. 8000-10 and 8000-11), acrylic awning fabrics or Soltis 92



The retracted cover is completely protected in the cassette

- the drive belt has extremely high tensile strength
- up to 3 units can be coupled together
 - 2 fields – 1 motor
 - 2 fields – 2 motors *
 - 3 fields – 2 motors *

* can be controlled separately

only **one** track is required at the coupling point

the cassette is in one piece for units up to 700 cm.

- the markilux® 8000 is supplied as standard with motor drive

- the cover is kept under perfect tension by means of two independently working gas pistons



Standard track fixture is very straightforward (with the tracks mounted parallel to each other on the conservatory frame)



Fixture using laterally movable track bracket (necessary if the tracks cannot be fitted parallel to the conservatory frame)



Coupled units with single track in the middle

A question of expertise and experience

- robust, self-supporting housing made of extruded aluminium
- cassette brackets can be positioned at will up to 35 cm. from the ends of the cassette
- track brackets can be placed up to 100 cm. from the lower end of the track
- a maximum of 700 cm. of material will fit inside the cassette
- covers at either end of the cassette simplify maintenance
- roller can be removed upwards from the cassette
- the cassette bracket can be rotated to simplify fixture
- unit is pre-assembled, facilitating fixture considerably
- the motor has electronic limit switching and a torque cut-out mechanism so it switches itself off automatically if the awning encounters an obstruction
- an extra seam (doublestitched) every 60 cm, (acrylic, Perfotex or sunsilk), 82 cm (transolair) or 88,5 cm (Soltis 92) increases the stability of the cover
- the belt rollers run on Teflon-coated bushes
- to minimise the droop in profile and cover the extremely sturdy front profile is made of extruded aluminium



The self-supporting cassette housing



The electronically switched motor is secreted inside the roller

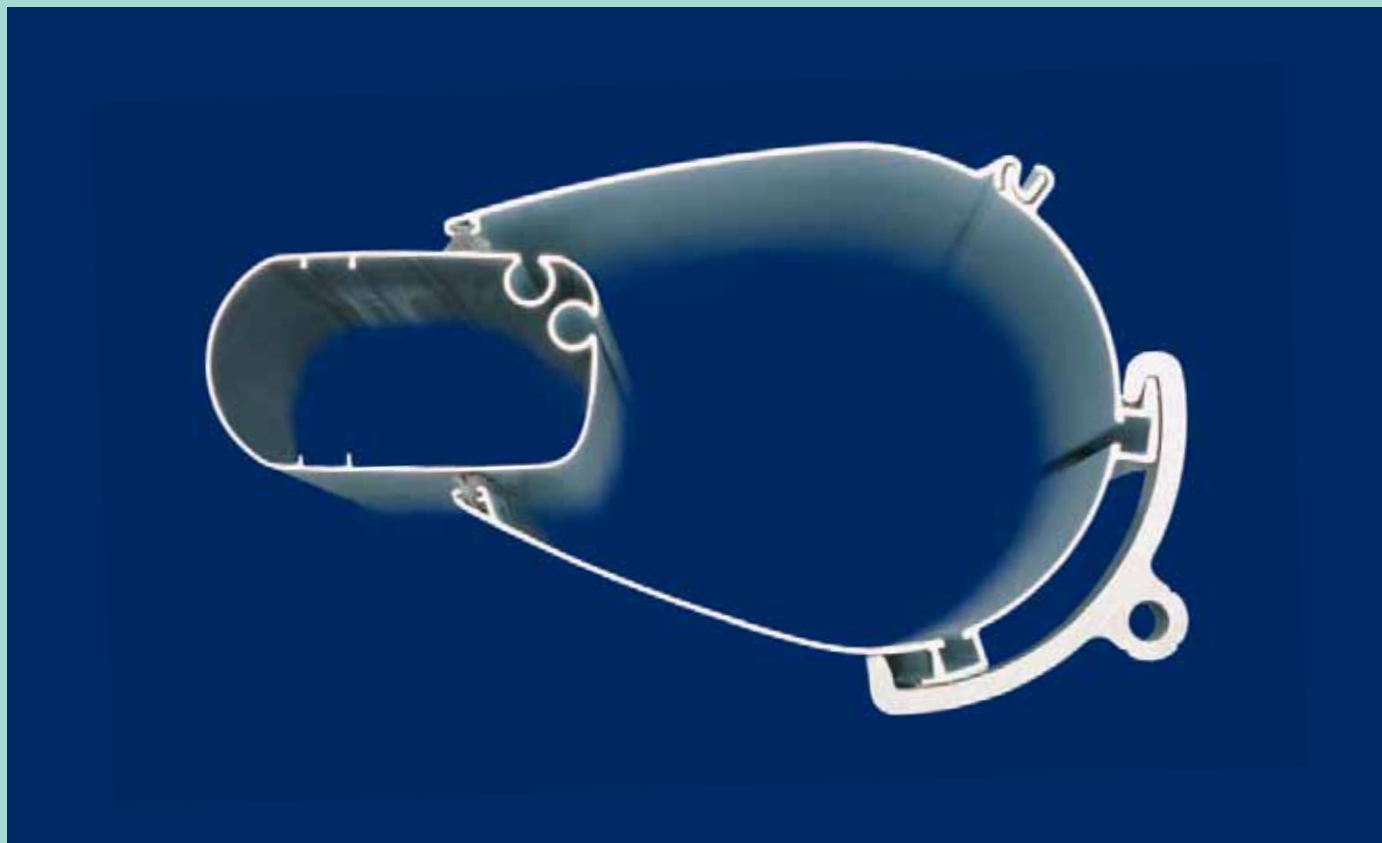


The cassette looks elegant from every angle



Face fixture bracket with adjustable fixing point and wall sealing profile

Beauty born of simplicity and ingenuity



The retracted cover is protected from dust, dirt and extraneous matter by the **brush seals**

- larger awnings (v. p. 8000-7) are fitted with a cover support tube



The droop in the cover, due to its inherent weight, will increase when the cover is wet. Larger awnings are consequently fitted with a cover support tube to help counteract this phenomenon. If any awning is to be installed with very little pitch, we recommend a cover support tube be fitted regardless of the projection.



We reserve the right to make alterations without giving prior notice.

The markilux® 8000 Conservatory Awning with Curved Front



Flat to vertical shading



Curved front unit which covers conservatory suntrap



Detail of the curved track section and the redirection of the cover with - as shown here - a maximum of 3 relieving rollers

| | |
|-----------------|---------------------|
| up to 30° | 1 relieving roller |
| from 31° to 60° | 2 relieving rollers |
| from 61° to 85° | 3 relieving rollers |

Perfotex

the special conservatory awning fabric

- made from a brand name in spundyed acrylic thread, ensuring the highest grades of light and weather fastness
- impregnated with a dirt-inhibiting Teflon coat
- thanks to a special weaving technique the material can still breathe, is translucent and allows water through
- this prevents the formation of puddles, which can affect the performance of both cover and awning
- markilux® 880 - panel widths 120 cm.
markilux® 8000 - panel widths 60 cm.
(the extra seams increase the stability of the cover)
- the range of colours has been chosen very carefully

The pictures are actual size: scale 1:1



33 309



33 320

If you decide to use standard acrylic material, you must bear in mind that the unit is likely to be susceptible to the effects of wind and shall therefore produce undesirable noises.

If standard acrylic material is nevertheless to be used on the markilux® 8000, it is recommended that eyelets - to allow water to escape from on top of the cover - be inserted into the material approximately 10 cm behind the front profile in the middle of every panel. Please put a cross in the appropriate box on the order form.

Because the cover of the markilux® 8000 is always made from material 60 cm in width, i.e. reduced from 120 cm widths of fabric, there is always a pattern mismatch every second seam in the case of striped fabrics.



33 311



33 318

SOLTIS

For the conservatory awning **markilux® 8000** (only flat units), the **markilux® 880** and for all **window shades** we now offer covers made from **SOLTIS 92** (the price and delay of SOLTIS 86 will be given on request for window shades only).

This product has proved itself without reservation for the given applications and offers a number of distinct advantages.

Window shades with a drop of more than 170 cm. have a horizontal seam. Conservatory shades have the more customary vertical seams, which run in the direction of the awning's extension. These seams appear as dark lines when a light source is behind the cover.

For further information and for the available colour range, please refer to the technical specification of the manufacturer.

Especially created by Schmitz-Werke for use on conservatory awnings and vertical blinds and awnings

- made from a brand name of spundyed acrylic yarns
 - achieves the highest standards in UV stability and weather fastness
 - the teflon finish inhibits the adhesion of dirt
 - uses a special perforation technique to allow sufficient transparency and light, air and wind through
 - reduces the formation of water troughs, which can have an adverse effect on the cover and conservatory
- in the case of the markilux® 8000 a special, stabilising cover manufacture technique is used (seams approximately every 82 cm.)
 - in the case of the markilux® 880 in panels approx. 120 cm wide and seamless in the following sizes:
 - 1) up to a fixture width of 259 cm. and an extension of 400 cm. (panel down the awning)
 - 2) up to a fixture width of 335 cm. and an extension of 237 cm. (panel across the awning)



33 920



33 909



33 918



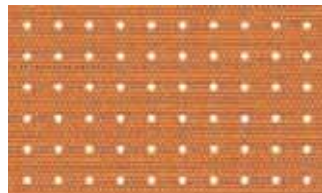
33 911



33 941



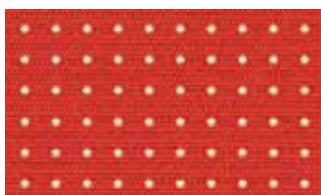
33 928



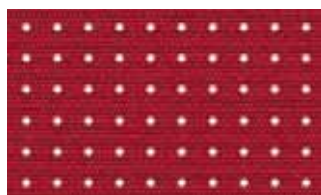
33 939



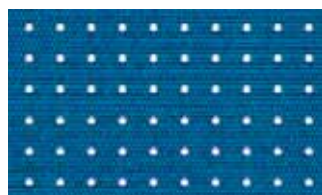
33 965



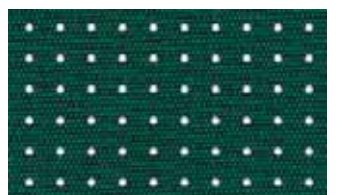
33 926



33 956



33 925



33 913



The Conservatory Awning markilux® 8000



| Single unit 1 field 1 motor | | | | | | | | | | | | | Approx. extension time in sec. 1) |
|-----------------------------|----------------------------|-----|-----|-----|-----|-----|-----|-----|-----|-----|-----|--------------|-----------------------------------|
| Dimensions | Fixture/order width in cm. | 150 | 200 | 250 | 300 | 350 | 400 | 450 | 500 | 550 | 600 | 650 | Standard motor |
| | Overall width | 158 | 208 | 258 | 308 | 358 | 408 | 458 | 508 | 558 | 608 | 658 | single |
| | Extension 150 cm. | | | | | | | | | | | | 17 |
| | Extension 200 cm. | | | | | | | | | | | | 22 |
| | Extension 250 cm. | | | | | | | | | | | | 28 |
| | Extension 300 cm. | | | | | | | | | | | | 33 |
| | Extension 350 cm. | | | | | | | | | | | * | 37 |
| | Extension 400 cm. | * | * | * | * | * | * | * | * | * | * | * | 42 |
| | Extension 450 cm. | * | * | * | * | * | * | * | * | * | ** | ** | 47 |
| | Extension 500 cm. | * | * | * | * | * | * | * | * | ** | ** | ** | 51 |
| | Extension 550 cm. | * | * | * | * | * | * | * | ** | ** | ** | - | 55 |
| | Extension 600 cm. | * | * | * | * | * | * | ** | ** | ** | ** | - | 59 |
| | Extension 650 cm. | * | * | * | * | * | * | ** | ** | ** | - | - | 64 |
| Extension 700 cm. | ** | ** | ** | ** | ** | ** | ** | ** | - | - | - | 68 | |
| | | | | | | | | | | | | 17 r.p.m. 2) | |

1) **N.B.** Motor stops automatically after 3 – 4 minutes use to prevent overheating.

2) **Nominal RPM**
(In the case of contract awnings the same speed of rotation of the motors cannot be guaranteed)

An additional track support is required from an extension of 401 cm. The cassette requires additional support in the middle from a width of 451 cm.

N.B.

- = 1 cover support tube
- = 2 cover support tubes

| Available Accessories | Motor drive | <input checked="" type="checkbox"/> |
|-----------------------|---|--|
| | Wall sealing profile (up to a pitch of 25°) | <input checked="" type="checkbox"/> |
| | Frame powder coated as standard in colour * | <input checked="" type="checkbox"/> |
| | Perfortex fabric (panels 60 cm wide) | <input checked="" type="checkbox"/> |
| | swela transolair (panels 82 cm wide) | <input checked="" type="checkbox"/> |
| | Soltis 92 (panels 88.5 cm wide) | <input checked="" type="checkbox"/> |
| | Cover made of a brand name of acrylic material or sunsilk (panels 60 cm wide) | <input checked="" type="checkbox"/> no oversized material |

The smallest possible fixture widths (in mm.)

| Extension | SOLTIS 92 | | | | | |
|----------------------|-----------|--------|--------|--------|--------|-----------|
| | 0-1500 | 0-3000 | 0-5500 | 0-7000 | 0-4000 | 4010-7000 |
| Smallest fixt. width | 740 | 790 | 1120 | 1220 | 1220 | 1490 |

Motor drive

with electronic torque reduction when being retracted

| | |
|---|--------|
| Motor for single units | 782681 |
| Motor for coupled units | 782691 |
| Radio-controlled motor for single unit | 783631 |
| Radio-controlled motor for coupled unit | 783641 |
| External radio receiver for standard motors | 783681 |

Possible dimensional variations: (in mm.)

| Overall width of the awning | Standard widths | Intermediate widths |
|-----------------------------|-----------------|---------------------|
| | Motor | Motor |
| Tolerances in the width | + 0 / - 20 | + 0 / - 20 |
| Tolerances in the extension | + 40 / - 40 | + 40 / - 40 |

Awning cover sizes: (in mm.)

| | Standard widths | Intermediate widths |
|--|-----------------|---------------------|
| | Motor | Motor |
| Cover width = (deduct from awning width) | 90 | 90 |
| Cover length = (add to awning extension) | v. table | v. table |

Awning cover tolerances: (in mm.)

| (Tolerances in the width and length of the cover) | From | To | Tolerances |
|---|------|------|-------------|
| | 0 | 2000 | + 5 / - 5 |
| | 2010 | 4000 | + 8 / - 8 |
| | 4010 | 6000 | + 12 / - 12 |
| | 6010 | 7000 | + 15 / - 15 |

Not available: manual operation, PVC fabrics (ERA, Mehler etc.), screen fabrics

* white RAL 9016, brown RAL 8019
Do ask about other powder-coated colours in RAL.
Availability and lead times on request.

N.B. Measure up carefully! We will not take awnings back because of incorrect size. Awnings are made to measure. The ordered width should be the fixture width of the awning on the conservatory. The overall width of the awning is 80 mm greater than the fixture width (40 mm on each side). The extension of the awning is measured from the back of the cassette to the leading edge of the front profile (the guide tracks protrude a further 70 mm past the front profile).

If coupled awnings or blinds are to be fitted into a recess or reveal the overall width of the coupled awning must be 6 cm less than the width of the opening to allow the awnings to be coupled together.

In the case of coupled units with differing unit sizes it is not possible to guarantee that the covers will wind onto the rollers in a similar fashion. Visual anomalies may be apparent which do not affect the functionality of the awning.

N.B. The motor drives used in single and multiple field awnings run at different r.p.m. Bear this in mind when ordering a 3 field/2 motor awning.

The radio-controlled motor does not have the torque cut-off function of the standard motor. If this is required in conjunction with the radio-controlled operation than an external receiver should be used with a standard motor.

Make a special note if an awning is to be fitted into a recess/reveal, and note the recess/reveal width separately.

The operation side should be given as if seen from the outside.

Please consult the special notes contained in the general information/markilux® fabric collections.

We reserve the right to alter our products without giving prior notice.

The markilux® 8000 Conservatory Awning



Single unit 2 fields 1 motor (for the maximum field size viz. single units)

| Fixture/order width in cm | 450 | 500 | 550 | 600 | 650 | 700 | 750 | 800 | 850 | 900 | 950 | 1000 | 1050 | 1100 | 1150 | 1200 | 1250 | 1300 | Approx. extension time in sec. ¹⁾ | |
|---------------------------|-----|-----|-----|-----|-----|-----|-----|-----|-----|-----|-----|------|------|------|------|------|------|------|--|-----|
| Overall width | 458 | 508 | 558 | 608 | 658 | 708 | 758 | 808 | 858 | 908 | 958 | 1008 | 1058 | 1108 | 1158 | 1208 | 1258 | 1308 | Standard motor for single unit | |
| Extension 150 cm. | | | | | | | | | | | | | | | | | | | | 26 |
| Extension 200 cm. | | | | | | | | | | | | | | | | | | | | 33 |
| Extension 250 cm. | | | | | | | | | | | | | | | | | | | | 41 |
| Extension 300 cm. | | | | | | | | | | | | | | | | | | | | 48 |
| Extension 350 cm. | | | | | | | | | | | | | | | | | * | * | | 56 |
| Extension 400 cm. | * | * | * | * | * | * | * | * | * | * | * | * | * | * | * | * | * | * | * | 64 |
| Extension 450 cm. | * | * | * | * | * | * | * | * | * | * | * | * | * | * | ** | ** | ** | ** | | 71 |
| Extension 500 cm. | * | * | * | * | * | * | * | * | * | * | * | * | ** | ** | ** | ** | ** | ** | ** | 79 |
| Extension 550 cm. | * | * | * | * | * | * | * | * | * | * | ** | ** | ** | ** | ** | ** | - | - | | 86 |
| Extension 600 cm. | * | * | * | * | * | * | * | * | ** | ** | ** | ** | ** | ** | ** | ** | - | - | | 92 |
| Extension 650 cm. | * | * | * | * | * | * | * | * | ** | ** | ** | ** | ** | ** | - | - | - | - | | 98 |
| Extension 700 cm. | ** | ** | ** | ** | ** | ** | ** | ** | ** | ** | ** | ** | - | - | - | - | - | - | | 103 |
| | | | | | | | | | | | | | | | | | | | 11 rpm ²⁾ | |

Coupled unit 2 fields 2 motors (for the maximum field size viz. single units)

| Fixture/order width in cm | 450 | 500 | 550 | 600 | 650 | 700 | 750 | 800 | 850 | 900 | 950 | 1000 | 1050 | 1100 | 1150 | 1200 | 1250 | 1300 | Approx. extension time in sec. ¹⁾ | |
|---------------------------|-----|-----|-----|-----|-----|-----|-----|-----|-----|-----|-----|------|------|------|------|------|------|------|--|-----|
| Overall width | 458 | 508 | 558 | 608 | 658 | 708 | 758 | 808 | 858 | 908 | 958 | 1008 | 1058 | 1108 | 1158 | 1208 | 1258 | 1308 | Standard motor for coupled unit | |
| Extension 150 cm. | | | | | | | | | | | | | | | | | | | | 26 |
| Extension 200 cm. | | | | | | | | | | | | | | | | | | | | 33 |
| Extension 250 cm. | | | | | | | | | | | | | | | | | | | | 41 |
| Extension 300 cm. | | | | | | | | | | | | | | | | | | | | 48 |
| Extension 350 cm. | | | | | | | | | | | | | | | | | * | * | | 56 |
| Extension 400 cm. | * | * | * | * | * | * | * | * | * | * | * | * | * | * | * | * | * | * | * | 64 |
| Extension 450 cm. | * | * | * | * | * | * | * | * | * | * | * | * | * | * | ** | ** | ** | ** | | 71 |
| Extension 500 cm. | * | * | * | * | * | * | * | * | * | * | * | * | ** | ** | ** | ** | ** | ** | ** | 79 |
| Extension 550 cm. | * | * | * | * | * | * | * | * | * | * | ** | ** | ** | ** | ** | ** | - | - | | 86 |
| Extension 600 cm. | * | * | * | * | * | * | * | * | ** | ** | ** | ** | ** | ** | ** | ** | - | - | | 92 |
| Extension 650 cm. | * | * | * | * | * | * | * | * | ** | ** | ** | ** | ** | ** | - | - | - | - | | 98 |
| Extension 700 cm. | ** | ** | ** | ** | ** | ** | ** | ** | ** | ** | ** | ** | - | - | - | - | - | - | | 103 |
| | | | | | | | | | | | | | | | | | | | 11 rpm ²⁾ | |

Coupled unit 3 fields 2 motors (motors can be operated separately) (for the maximum field size viz. single units)

| Fixture/order width in cm | 600 | 650 | 700 | 750 | 800 | 850 | 900 | 950 | 1000 | 1050 | 1100 | 1150 | 1200 | 1250 | 1300 | 1350 | 1400 | 1450 | 1500 | 1550 | 1600 | 1650 | 1700 | 1750 | 1800 | 1850 | 1900 | 1950 | Approx. extension time in sec. ¹⁾ | |
|---------------------------|-----|-----|-----|-----|-----|-----|-----|-----|------|------|------|------|------|------|------|------|------|------|------|------|------|------|------|------|------|------|------|------|--|----|
| Overall width | 608 | 658 | 708 | 758 | 808 | 858 | 908 | 958 | 1008 | 1058 | 1108 | 1158 | 1208 | 1258 | 1308 | 1358 | 1408 | 1458 | 1508 | 1558 | 1608 | 1658 | 1708 | 1758 | 1808 | 1858 | 1908 | 1958 | Standard motor for coupled unit | |
| Extension 150 cm. | | | | | | | | | | | | | | | | | | | | | | | | | | | | | | 26 |
| Extension 200 cm. | | | | | | | | | | | | | | | | | | | | | | | | | | | | | | 33 |
| Extension 250 cm. | | | | | | | | | | | | | | | | | | | | | | | | | | | | | | 41 |
| Extension 300 cm. | | | | | | | | | | | | | | | | | | | | | | | | | | | | | | 48 |
| Extension 350 cm. | | | | | | | | | | | | | | | | | | | | | | | | | | * | * | * | | 56 |
| Extension 400 cm. | * | * | * | * | * | * | * | * | * | * | * | * | * | * | * | * | * | * | * | * | * | * | * | * | * | * | * | * | * | 64 |
| Extension 450 cm. | * | * | * | * | * | * | * | * | * | * | * | * | * | * | * | * | * | * | * | * | * | * | ** | ** | ** | ** | ** | ** | ** | 71 |
| Extension 500 cm. | * | * | * | * | * | * | * | * | * | * | * | * | * | * | * | * | * | * | * | * | ** | ** | ** | ** | ** | ** | ** | ** | ** | 79 |
| Extension 550 cm. | * | * | * | * | * | * | * | * | * | * | * | * | * | * | * | ** | ** | ** | ** | ** | ** | ** | ** | ** | ** | ** | - | - | - | 86 |
| Extension 600 cm. | * | * | * | * | * | * | * | * | * | * | * | * | ** | ** | ** | ** | ** | ** | ** | ** | ** | ** | ** | ** | ** | ** | - | - | - | 92 |
| Extension 650 cm. | * | * | * | * | * | * | * | * | * | * | * | * | ** | ** | ** | ** | ** | ** | ** | ** | ** | ** | ** | ** | ** | - | - | - | 98 | |
| Extension 700 cm. | ** | ** | ** | ** | ** | ** | ** | ** | ** | ** | ** | ** | ** | ** | ** | ** | ** | ** | ** | ** | ** | ** | ** | ** | - | - | - | - | 103 | |
| | | | | | | | | | | | | | | | | | | | | | | | | | | | | | 11 rpm ²⁾ | |

1) N.B. Motor stops automatically after 3 – 4 minutes use to prevent overheating.

2) Nominal RPM (In the case of contract awnings the same speed of rotation of the motors cannot be guaranteed). This should be taken into consideration in particular where more than two motors are concerned.

An additionally track support is required from an extension of 401 cm.
The cassette requires additional support in the middle from a field width 451 cm.

- N.B.**
- = 1 cover support tube
 - = 2 cover support tubes

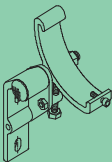
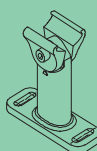
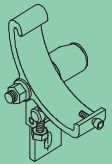
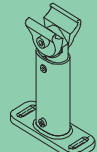




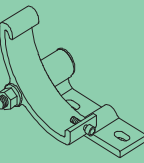


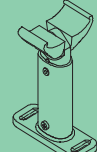





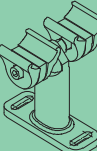
Whether a cover support tube is required in the case of coupled awnings depends on the individual field size. This table has assumed equal field sizes. If a coupled unit of unequal field size is ordered, for which a cover support tube is required on the larger awning, then – if only for aesthetic reasons – one should also be fitted to the smaller awning.

The cassette of coupled awnings up to 700 cm. wide shall be supplied in one piece. If for reasons of transportation or fixture you require the cassette to be split please make a clear note of this on the order form.

The markilux® 8000 Conservatory Awning



Fixtures and accessories

| Part | Description | Order No. | Part | Description | Order No. |
|---|---|-----------|---|---|-----------|
|  | face fixture bracket assembly lefthand | 78117. |  | track bracket assembly with swivel head 100 mm. | 78081. |
|  | face fixture bracket assembly righthand | 78118. |  | track bracket assembly with swivel head 140 mm. | 78105. |
|  | face fixture cassette coupling bracket assembly | 78330. |  | track bracket assembly with swivel head 100-500 mm. | 78082. |
|  | bottom fixture bracket assembly lefthand | 78121. |  | track bracket assembly with swivel head and foot 200-500 mm. | 78083. |
|  | bottom fixture bracket assembly righthand | 78122. |  | coupling track bracket assembly with swivel head 100 mm. | 78086. |
|  | bottom fixture cassette coupling bracket assembly | 78329. |  | coupling track bracket assembly with swivel head 140 mm | 78107. |
|  | raised cassette bracket assembly lefthand | 78125. |  | coupling track bracket assembly with swivel head 100-500 mm | 78087. |
|  | raised cassette bracket assembly righthand | 78126. |  | coupling track bracket assembly with swivel head and foot 200-500 mm. | 78088. |
|  | raised cassette bracket assembly for coupling point | 78332. |  | double track bracket assembly with swivel head 100 mm. | 78094. |

. = insert RAL colour code no.

The markilux® 8000 Conservatory Awning




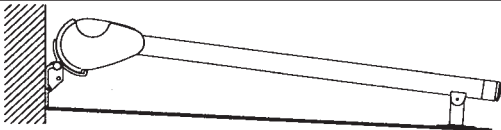




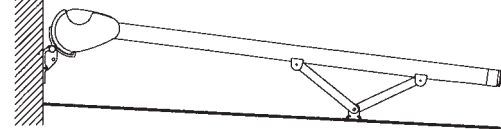
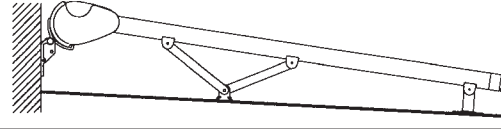
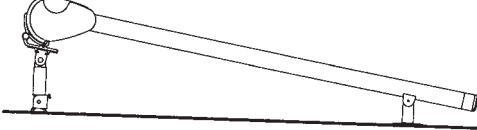

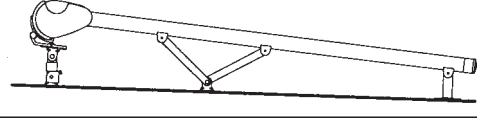
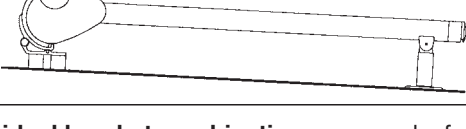
Fixtures and accessories

| Part | Description | Order No. | Part | Description | Order No. |
|------|---|-----------|------|--|-----------|
| | double track bracket assembly with swivel head 100-500 mm. | 78095. | | universal track bracket assembly 100 mm. | 78247. |
| | coupling track bracket assembly with swivel head and foot 200-500 mm. | 78096. | | universal track bracket assembly 140-500 mm. | 78251. |
| | track bracket assembly for track fixture rigid | 78113. | | track bracket assembly for transom fixture 100 mm. | 78162. |
| | coupling track bracket assembly for track fixture rigid | 78115. | | track bracket assembly with adjustable plate | 78161. |
| | rigid cassette coupling bracket assembly for track fixture | 78333. | | adjustable plate for track bracket assembly | 78165. |
| | flat bracket assembly for lateral fixture with swivel head | 78085. | | bracket assembly for sun/wind/rain sensor | 78171. |
| | vario-V bracket assembly for track fixture | 78084. | | 78252. track fixture profile by the metre | |
| | vario-V bracket assembly for coupling track fixture | 78089. | | | |
| | cassette support assembly | 78145. | | | |

. = insert RAL colour code no.

Fixture Combinations for the markilux® 8000

All fixture combinations incur a surcharge.

| | | | |
|----|-----|---|---|
| 11 | * |  | |
| 12 | |  | only up to an extension of 400 cm. thereafter fixture method 51 |
| 14 | * |  | |
| 21 | * |  | |
| 22 | * |  | |
| 31 | ** |  | An additional cassette support is required from a field width of 451 cm. |
| 41 | * |  | |
| 51 | * |  | only from an extension of 401 cm. |
| 61 | * ● |  | |
| 71 | * ● |  | |
| 81 | * ● |  | only from an extension of 401 cm. |
| 91 | * |  | |
| 00 | | Individual bracket combinations – v. overleaf. Combine the fixings according to your requirements making sure you note the minimum quantity required for the width and extension you have ordered. | |

* = 2 fixtures per track from an extension of 401 cm.

** = 3 fixtures per track from an extension of 401 cm.

● = diagonal tensioners are recommended

The Conservatory Awning markilux® 8000 with Curved Front



| Single unit 1 field 1 motor | | | | | | | Approx. extension time in sec. ¹⁾ |
|-----------------------------|-----|-----|-----|-----|-----|-----|--|
| Fixture/order width in cm. | 150 | 200 | 250 | 300 | 350 | 400 | Standard motor |
| Overall width | 158 | 208 | 258 | 308 | 358 | 408 | single |
| Extension 150 cm. | | | | | | | 26 |
| Extension 200 cm. | | | | | | | 33 |
| Extension 250 cm. | | | | | | | 41 |
| Extension 300 cm. | | | | | | | 48 |
| Extension 350 cm. | | | | | | | 56 |
| Extension 400 cm. | | | | | | | 64 |
| Extension 450 cm. | | | | | | | 71 |
| Extension 500 cm. | | | | | | | 79 |
| Extension 550 cm. | | | | | | | 86 |
| Extension 600 cm. | | | | | | | 92 |
| Extension 650 cm. | | | | | | | 98 |
| Extension 700 cm. | | | | | | | 103 |
| | | | | | | | 11 r.p.m. ²⁾ |

Dimensions

- N.B.** Motor stops automatically after 3 – 4 minutes use to prevent overheating.
- Nominal RPM**
(In the case of contract awnings the same speed of rotation of the motors cannot be guaranteed)

| Available Accessories | Motor drive | <input checked="" type="checkbox"/> |
|-----------------------|--|--|
| | Wall sealing profile (up to a pitch of 25°) | <input checked="" type="checkbox"/> |
| | Frame polyester powder coated as standard in colour * | <input checked="" type="checkbox"/> |
| | Perfotex fabric (panels 60 cm wide) | <input checked="" type="checkbox"/> |
| | swela transolair (panels 82 cm wide) | <input checked="" type="checkbox"/> |
| | Soltis 92 (panels 88.5 cm wide) | <input checked="" type="checkbox"/> |
| | Cover made of a brand name of acrylic material or sunsilk (panels 60 cm wide) | <input checked="" type="checkbox"/> no oversized material |
| | Not available: | manual operation, PVC fabrics (ERA, Mehler etc.), screen fabrics |

| The smallest possible fixture widths (in mm.) | | | | | | | SOLTIS 92 | |
|---|--------|--------|--------|--------|--------|-----------|-----------|--|
| Extension | 0-1500 | 0-3000 | 0-5500 | 0-7000 | 0-4000 | 4010-7000 | | |
| Smallest fixt. width | 740 | 790 | 1120 | 1220 | 1220 | 1490 | | |

| Motor drive | | Best.-Nr. |
|---|--|-----------|
| with electronic torque reduction when being retracted | | |
| Motor for single units | | 782691 |
| Motor for coupled units | | 782721 |

| Radio-controlled motor operation | | |
|---|--|--------|
| Radio-controlled motor for single unit | | 783641 |
| Radio-controlled motor for coupled unit | | 783651 |
| External radio receiver for standard motors | | 783681 |

| Possible dimensional variations: (in mm.) | | |
|---|-----------------|---------------------|
| Overall width of the awning | Standard widths | Intermediate widths |
| | Motor | Motor |
| Tolerances in the width | +0 / -20 | +0 / -20 |
| Tolerances in the extension | +40 / -40 | +40 / -40 |

| Awning cover sizes: (in mm.) | | |
|--|-----------------|---------------------|
| | Standard widths | Intermediate widths |
| | Motor | Motor |
| Cover width = (deduct from awning width) | 90 | 90 |
| Cover length = (add to awning extension) | v. table | v. table |

| Awning cover tolerances: (in mm.) | | | |
|---|------|------|------------|
| (Tolerances in the width and length of the cover) | From | To | Tolerances |
| | 0 | 2000 | +5 / -5 |
| | 2010 | 4000 | +8 / -8 |
| | 4010 | 6000 | +12 / -12 |
| | 6010 | 7000 | +15 / -15 |

N.B. Measure up carefully! We will not take awnings back because of incorrect size. Awnings are made to measure. The ordered width should be the fixture width of the awning on the conservatory. The overall width of the awning is 80 mm greater than the fixture width (40 mm on each side). The extension of the awning is measured from the back of the cassette to the leading edge of the front profile (the guide tracks protrude a further 70 mm past the front profile). If coupled awnings or blinds are to be fitted into a recess or reveal the overall width of the coupled awning must be 6 cm less than the width of the opening to allow the awnings to be coupled together. In the case of coupled units with differing unit sizes it is not possible to guarantee that the covers will wind onto the rollers in a similar fashion. Visual anomalies may be apparent which do not affect the functionality of the awning. **N.B.** The motor drives used in single and multiple field awnings run at different r.p.m. Bear this in mind when ordering a 3 field/2 motor awning. Make a special note if an awning is to be fitted into a recess/reveal, and note the recess/reveal width separately. **The operation side should be given as if seen from the outside.** Please consult the special notes contained in the general information/markilux® fabric collections. We reserve the right to make alterations without giving prior notice.

The Conservatory awning markilux® 8000 with Curved Front



max. field width 400 cm.; max. extension 700 cm.

N.B. – when ordering please

- use the ordering form for the curved front **markilux® 8000** in this catalogue.
- fax us the completed order form – giving the **conservatory** measurements.
- We shall make a production drawing on the basis of your order form and fax it back to you.
- Only when we have received a signed copy of the production drawing is the order cleared for production. The despatch date is calculated from this point.

| markilux 8000 1 relieving roller | markilux 8000 2 relieving rollers | markilux 8000 3 relieving rollers | markilux 8000 4 relieving rollers |
|--|--|---|--|
| <p>solar shading from 1 to 30 degrees 1 curve</p> | <p>solar shading from 31 to 60 degrees 1 curve</p> | <p>vertical shading from 61 to 85 degrees 1 curve</p> | <p>solar shading from 31 to 60 degrees vertical shading from 31 to 60 degrees 2 curves</p> |
| <p>vertical shading from 1 to 30 degrees 1 curve</p> | <p>solar shading from 1 to 30 degrees vertical shading from 1 to 30 degrees 2 curves</p> | <p>solar shading from 31 to 60 degrees vertical shading from 1 to 30 degrees 2 curves</p> | |
| | <p>vertical shading from 31 to 60 degrees 1 curve</p> | <p>solar shading from 1 to 30 degrees vertical shading from 31 to 60 degrees 2 curves</p> | |

| markilux 8000 order nos. and reference types | 1 curve 1 field 1 motor | 2 curves 1 field 1 motor | 1 curve 2 fields 1 motor | 2 curves 2 fields 1 motor | 1 curve 2 fields 2 motors | 2 curves 2 fields 2 motors | 1 curve 3 fields 2 motors | 2 curves 3 fields 2 motors |
|--|-------------------------------|--------------------------------|--------------------------------|---------------------------------|---------------------------------|----------------------------------|---------------------------------|----------------------------------|
| 1 relieving roller | 8000-1-1-1-1 | | 8000-1-2-1-1 | | 8000-1-2-2-1 | | 8000-1-3-2-1 | |
| 2 relieving rollers | 8000-1-1-1-2 | 8000-2-1-1-2 | 8000-1-2-1-2 | 8000-2-2-1-2 | 8000-1-2-2-2 | 8000-2-2-2-2 | 8000-1-3-2-2 | 8000-2-3-2-2 |
| 3 relieving rollers | 8000-1-1-1-3 | 8000-2-1-1-3 | 8000-1-2-1-3 | 8000-2-2-1-3 | 8000-1-2-2-3 | 8000-2-2-2-3 | 8000-1-3-2-3 | 8000-2-3-2-3 |
| 4 relieving rollers | | 8000-2-1-1-4 | | 8000-2-2-1-4 | | 8000-2-2-2-4 | | 8000-2-3-2-4 |

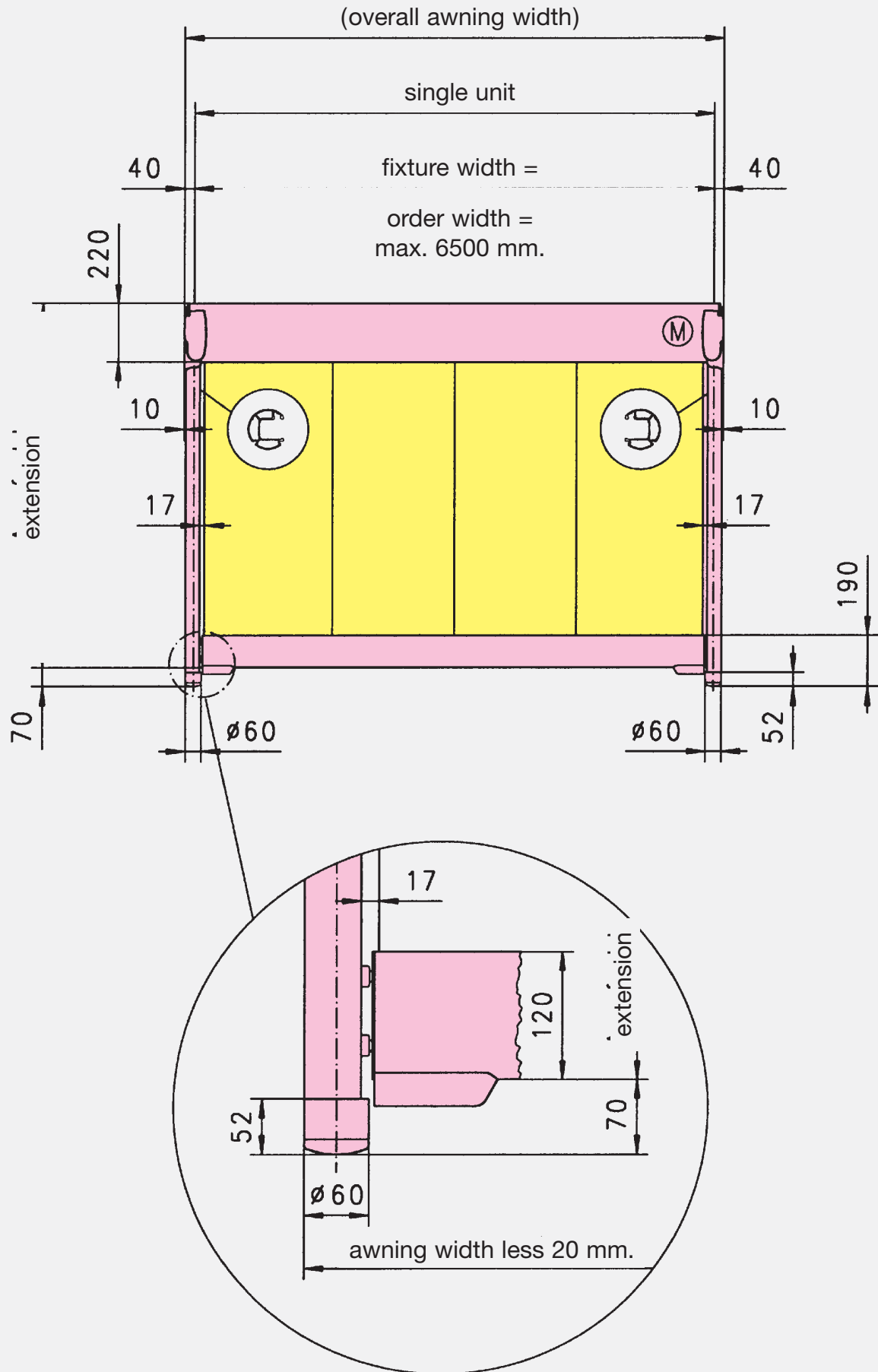
The reference type is a combination of the **basic awning type** and the **number of curves, fields, motors and relieving rollers**.

Example: markilux 8000-1-2-1-2 = order no. 1212

| Basic model | curves | field(s) | motor(s) | relieving roller(s) |
|---------------|--------|----------|----------|---------------------|
| markilux 8000 | 1 | 2 | 1 | 2 |

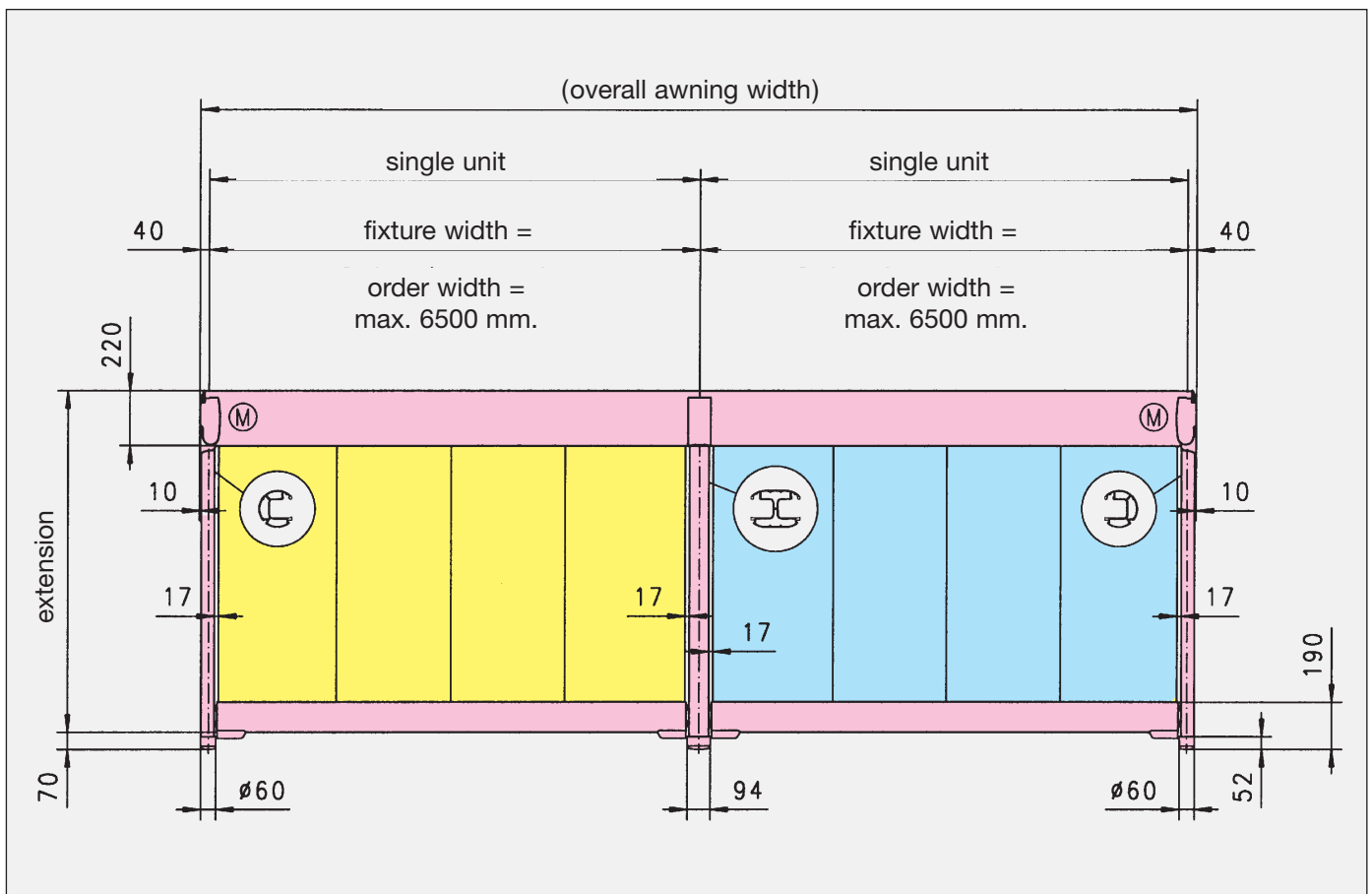
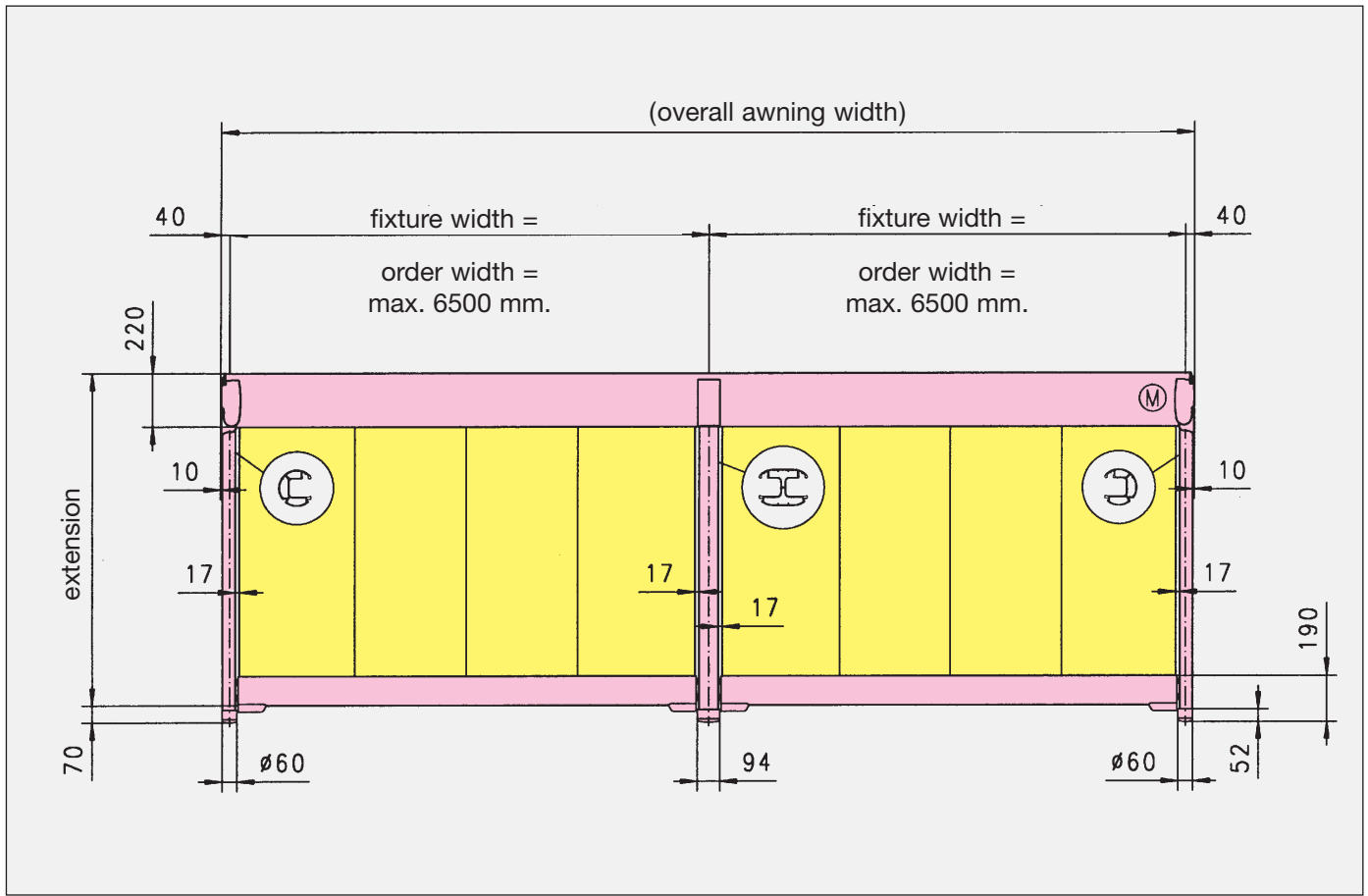
Important measurements for fitting the conservatory awning markilux® 8000

(Measurements may vary slightly.)

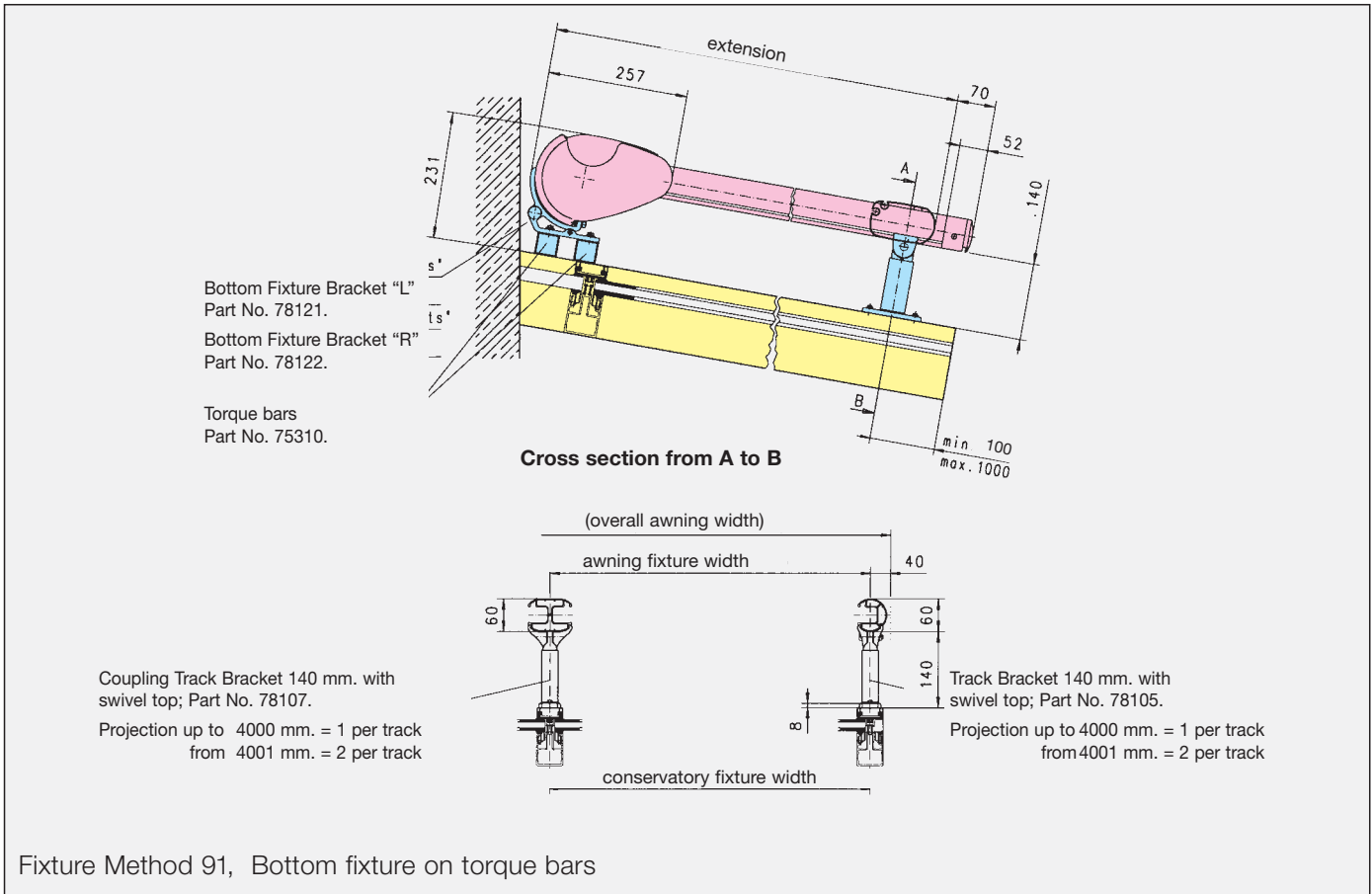
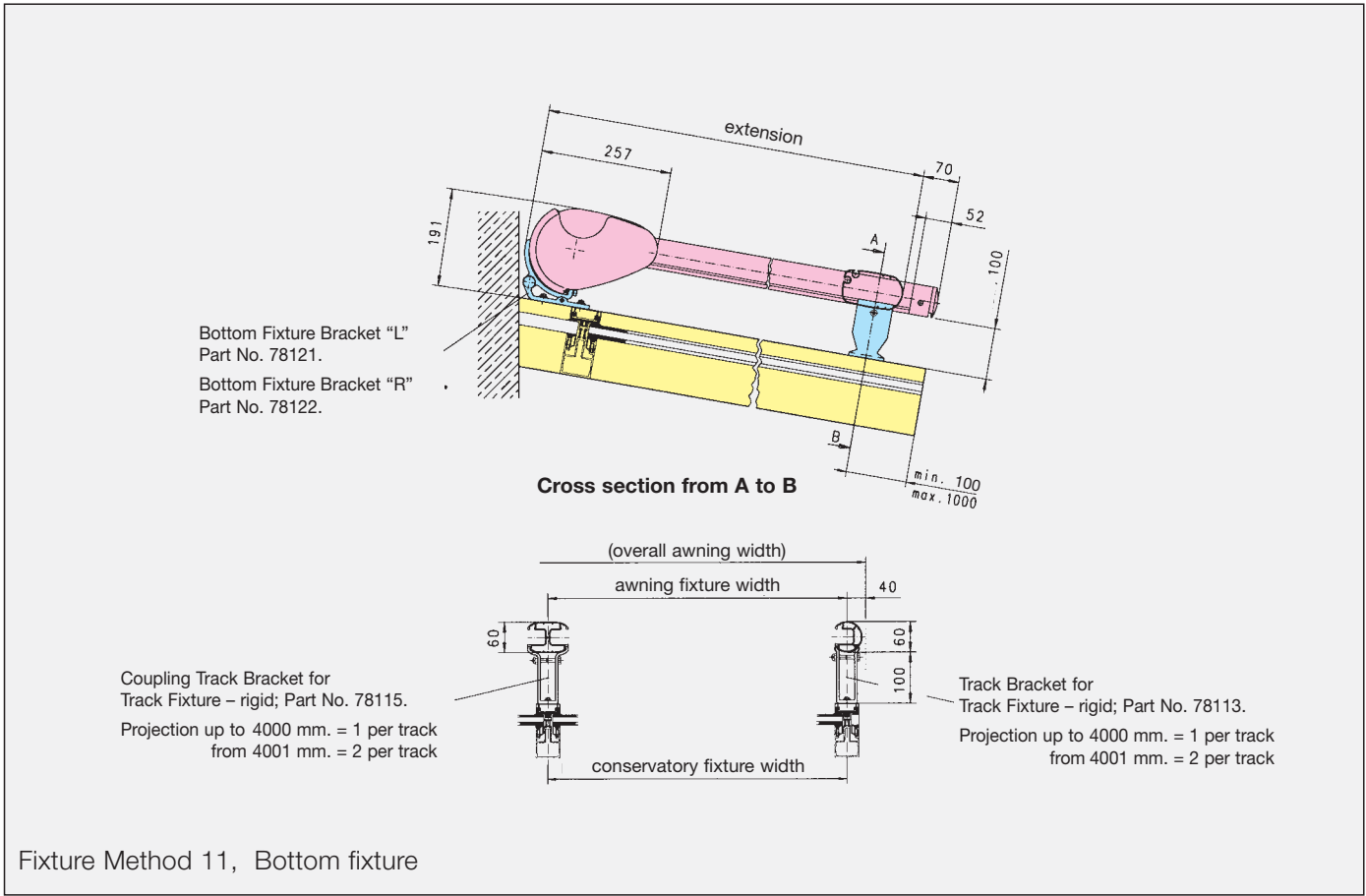


Important measurements for fitting the conservatory awning markilux® 8000

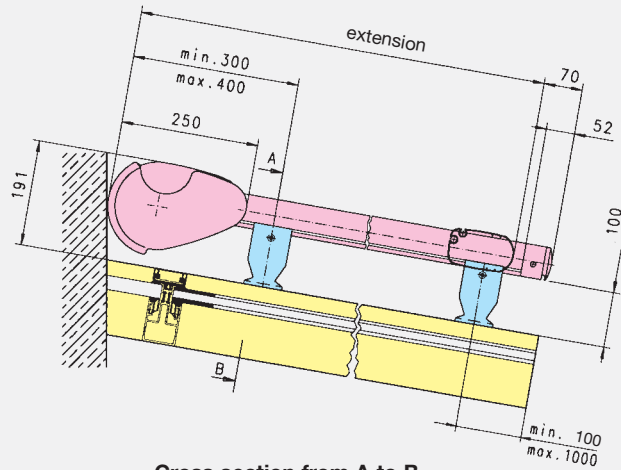
(Measurements may vary slightly.)



How to fit the markilux® 8000:

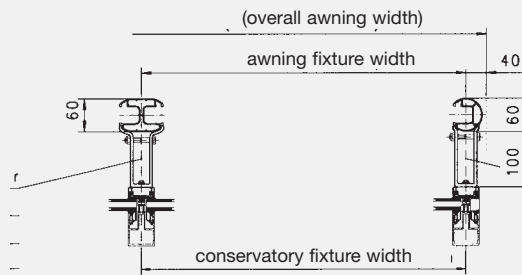


How to fit the markilux® 8000:



Cross section from A to B

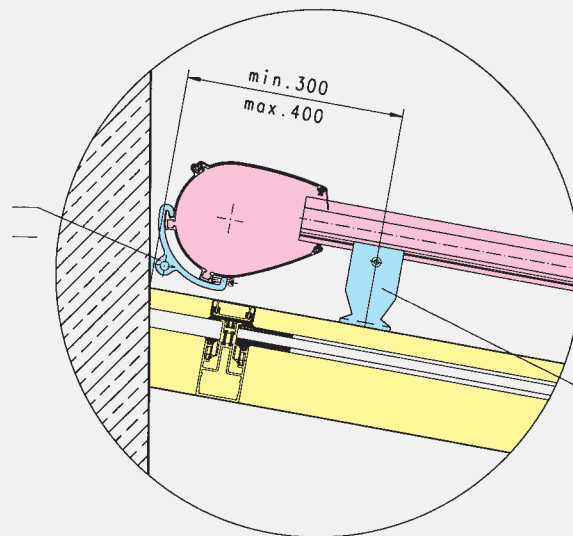
Coupling Track Bracket for Track Fixture – rigid; Part No. 78115.
Projection up to 4000 mm. = 2 per track
from 4001 mm. = 3 per track



Track Bracket for Frame Fixture – rigid; Part No. 78113.
Projection up to 4000 mm. = 2 per track
from 4001 mm. = 3 per track

Fixture Method 31, Track Fixture – from a field width of 4501 mm. an additional housing support is required in the middle

Bottom Fixture Coupling Bracket 8000 Part No. 78333.



Track Bracket for Track Fixture Part No. 78113.

Track Fixture for 2 Fields with Coupling Bracket

How to fit the markilux® 8000:

| Pitch | Gap |
|---------------------|-----------|
| Neigung α | Mess B |
| 5° | 22 |
| 10° | 22 |
| 15° | 32 |
| 20° | 36 |
| 25° | 40 |
| 30° | 43 |
| 35° | 45 |
| 40° | 46 |
| 45° | 47 |

Face Fixture Bracket "L"
Part No. 78117.
Face Fixture Bracket "R"
Part No. 78118.

Cross section from A to B

Coupling Track Bracket 100 mm. with swivel top - rigid; Part No. 78086.
Projection up to 4000 mm. = 1 per track
from 4001 mm. = 2 per track

Track Bracket 100 mm. with swivel top; Part No. 78081.
Projection up to 4000 mm. = 1 per track
from 4001 mm. = 2 per track

Fixture Method 12; Face fixture up to an extension of 4000 mm.

| Pitch | Gap |
|----------|-----|
| α | B |
| 5° | 22 |
| 10° | 22 |
| 15° | 32 |
| 20° | 36 |
| 25° | 40 |
| 30° | 43 |
| 35° | 45 |
| 40° | 46 |
| 45° | 47 |

Face Fixture Bracket "L"
Part No. 78117.
Face Fixture Bracket "R"
Part No. 78118.

Vario-V Bracket for Track Fixture
Part No. 78084.
Vario-V Bracket for Coupling
Track Fixture - Part No. 78089.

Track Bracket 100 mm. with swivel top
Part No. 78081.
Coupling Track Bracket 100 mm. with
swivel top - rigid; Part No. 78086.

min. 100
max. 1000

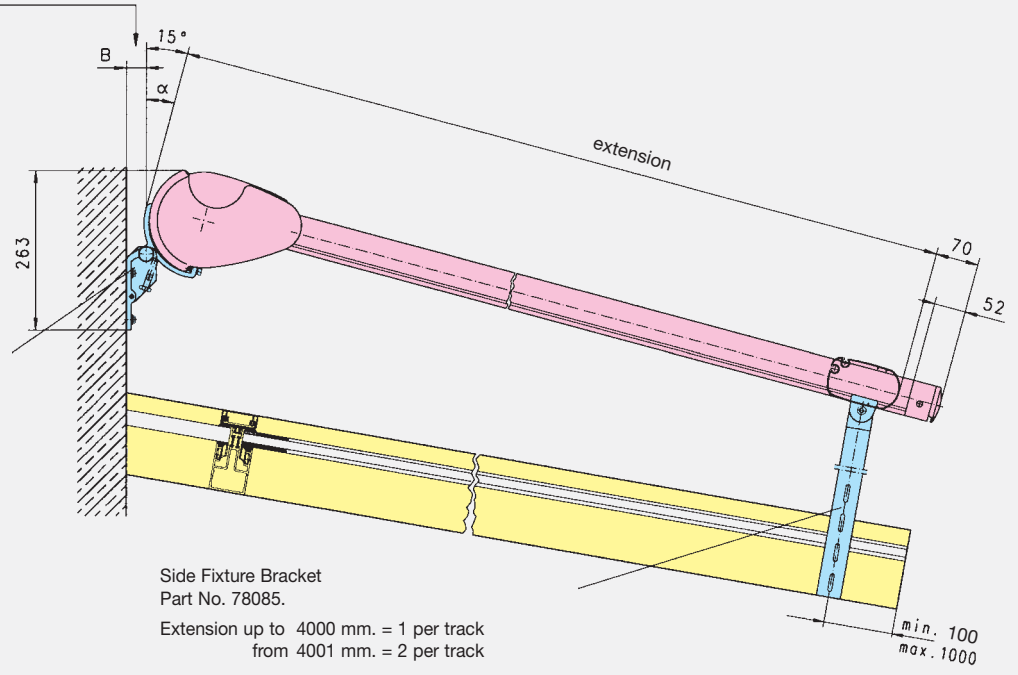
Fixture Method 51; Face fixture from an extension of 4001 mm. using vario-V brackets

How to fit the markilux® 8000:

| Pitch α | Gap B |
|-------------------|----------|
| 5° | 22 |
| 10° | 22 |
| 15° | 32 |
| 20° | 36 |
| 25° | 40 |
| 30° | 43 |
| 35° | 45 |
| 40° | 46 |
| 45° | 47 |

Face Fixture Bracket "L"
Part No. 78117.

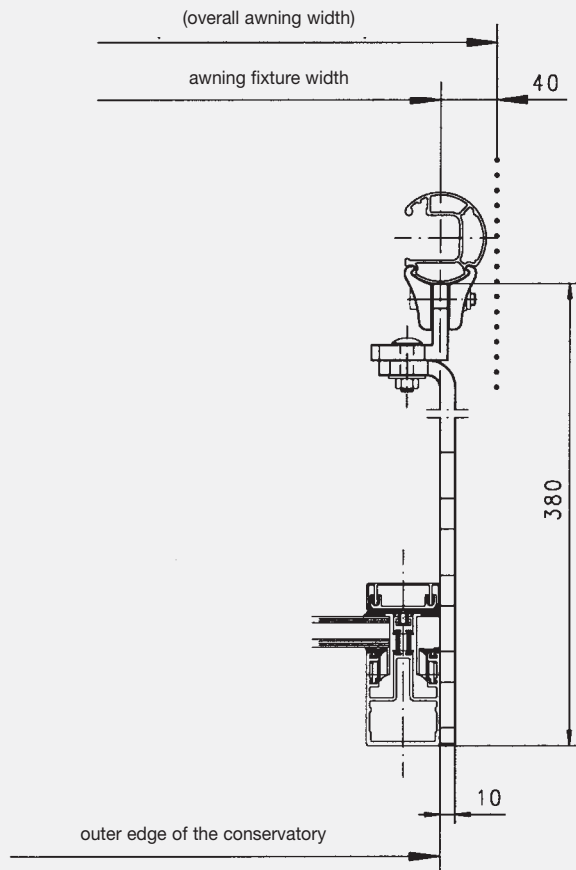
Face Fixture Bracket "R"
Part No. 78118.



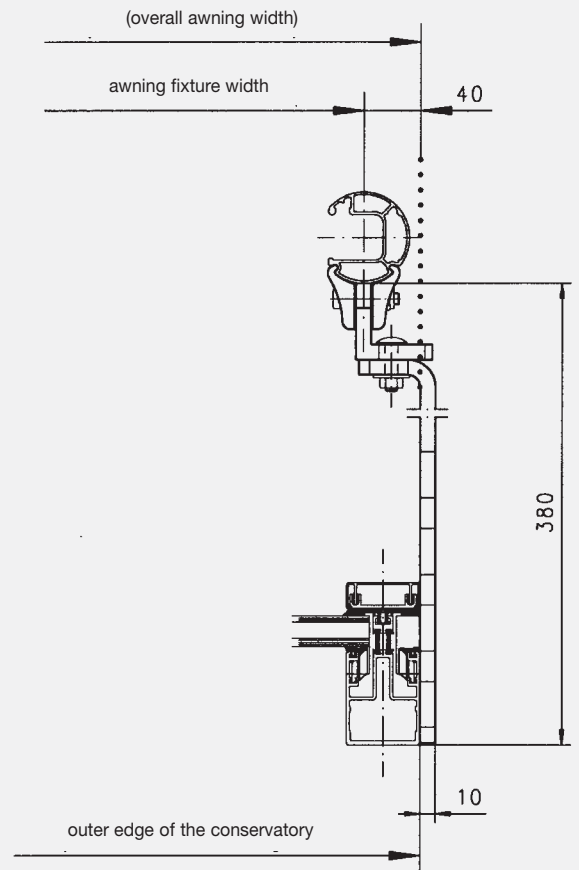
Side Fixture Bracket
Part No. 78085.

Extension up to 4000 mm. = 1 per track
from 4001 mm. = 2 per track

Option 1

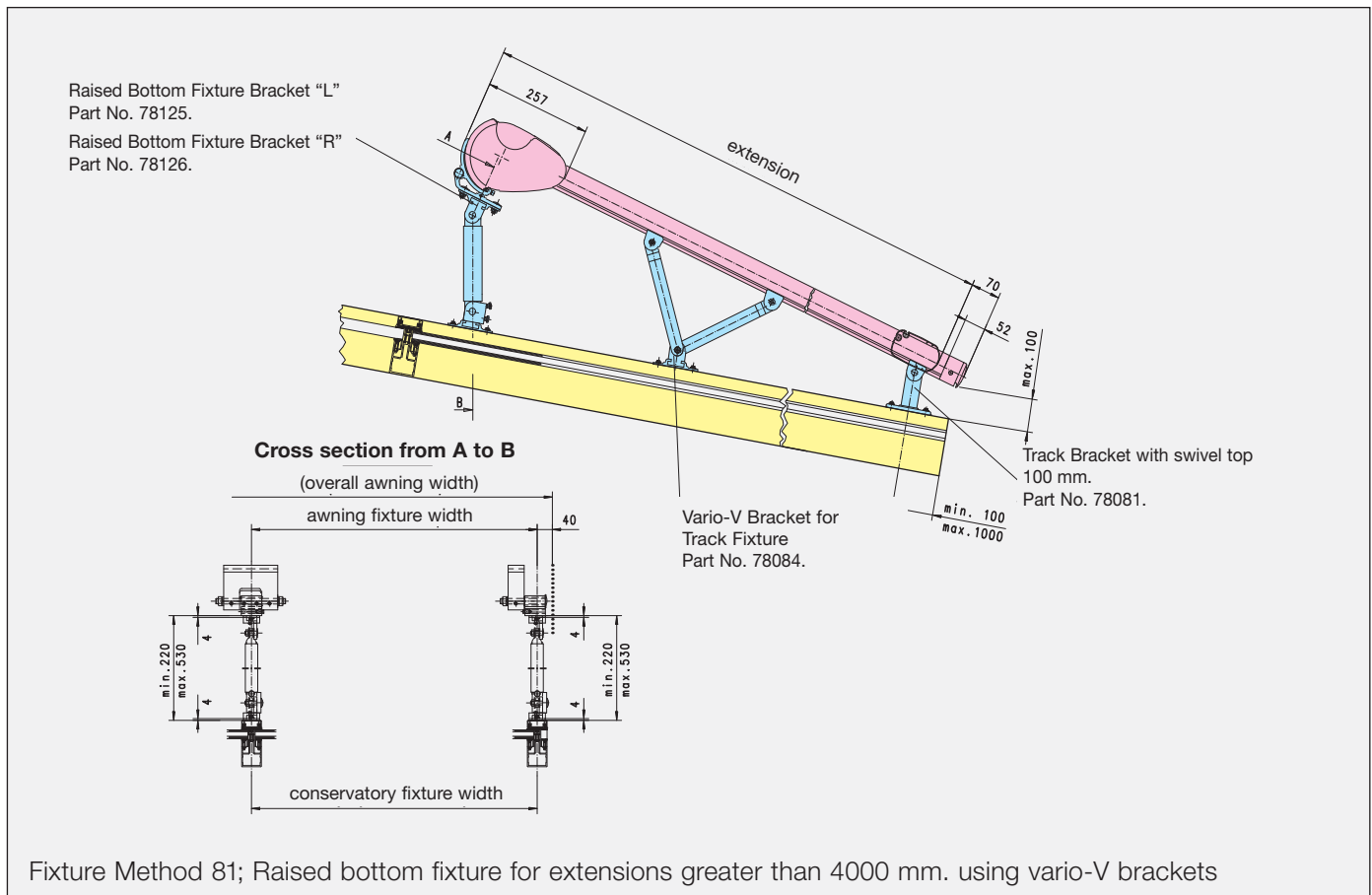
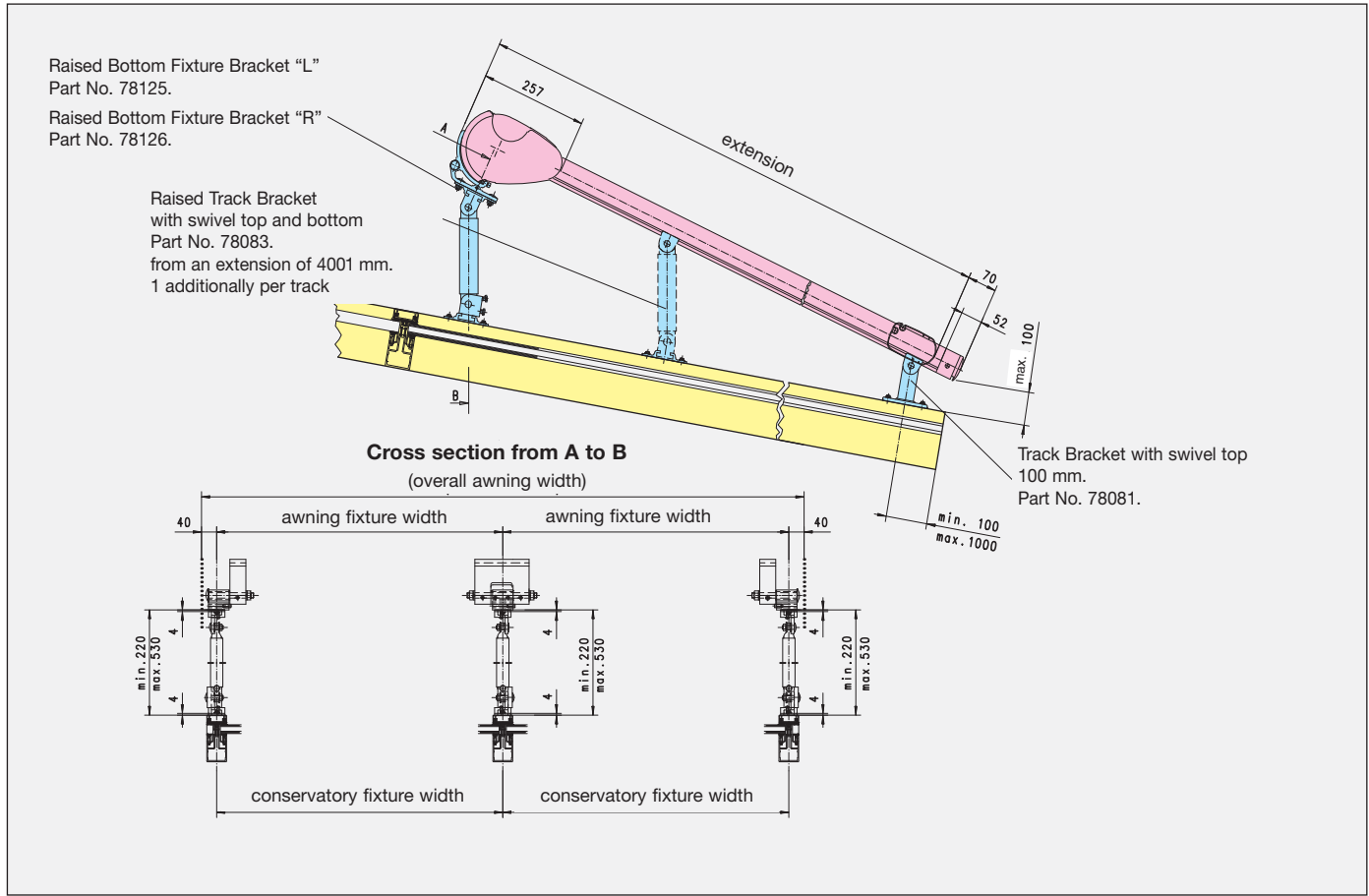


Option 2



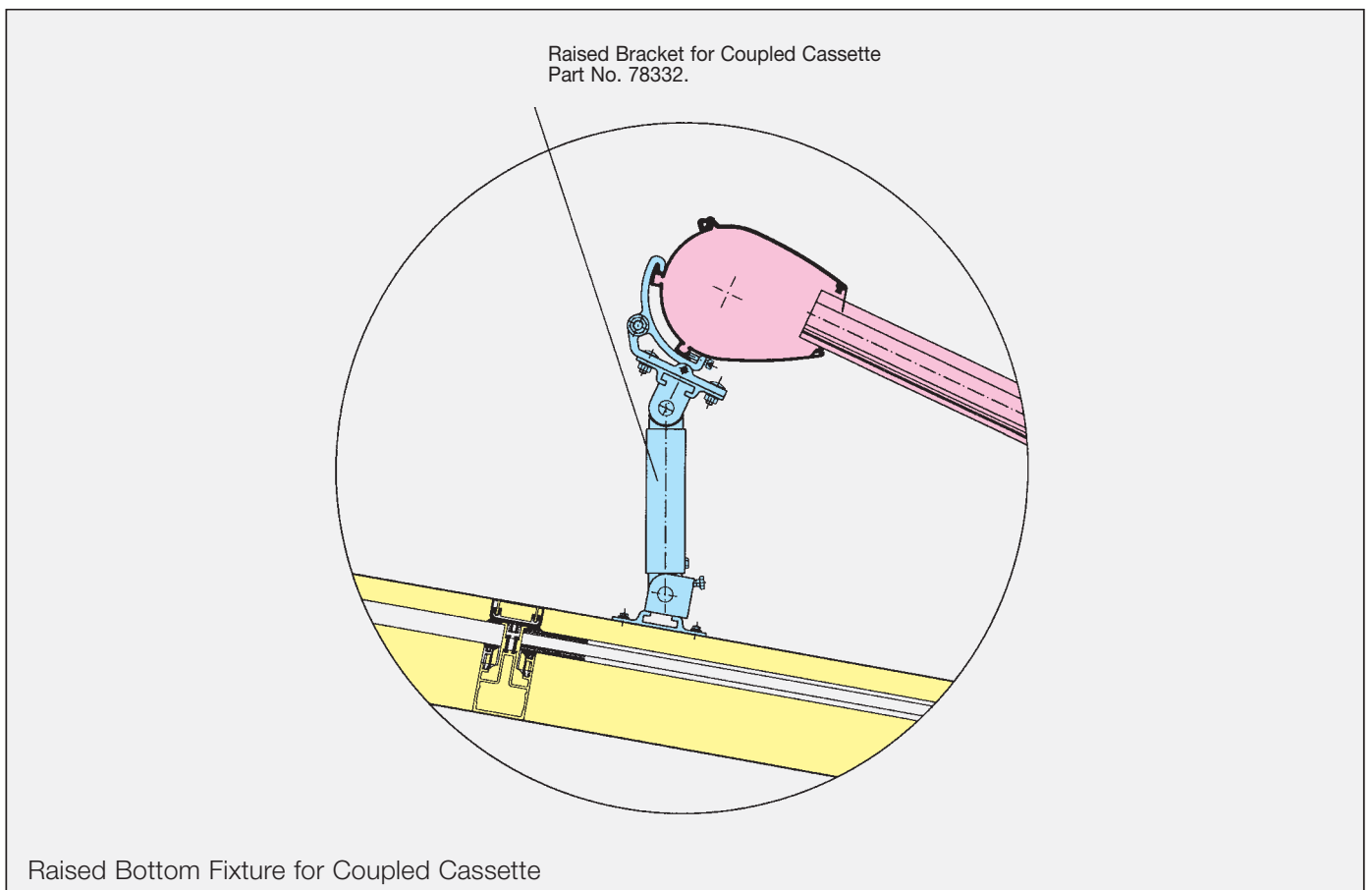
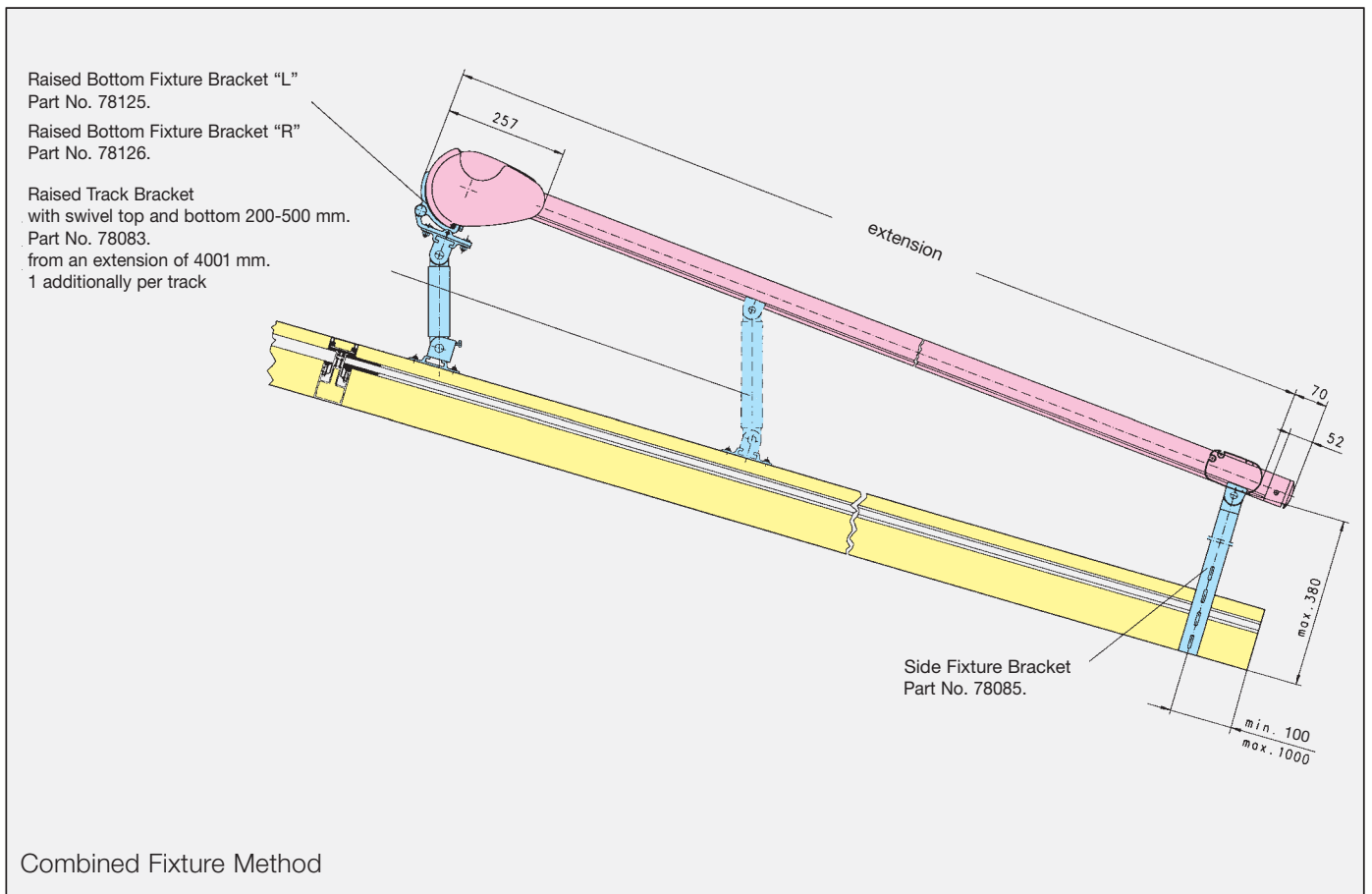
Fixture Method 22, Face fixture using side fixture brackets

How to fit the markilux® 8000:



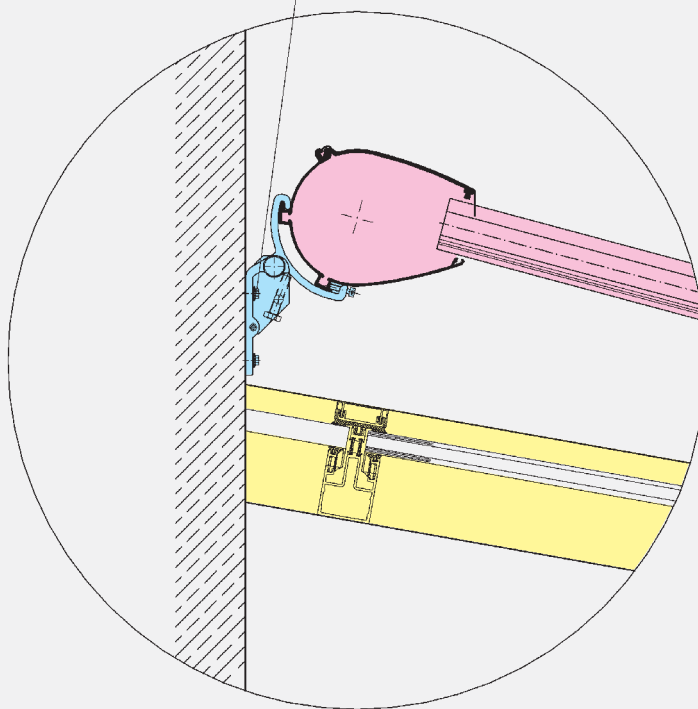
Fixture Method 81; Raised bottom fixture for extensions greater than 4000 mm. using vario-V brackets

How to fit the markilux® 8000:

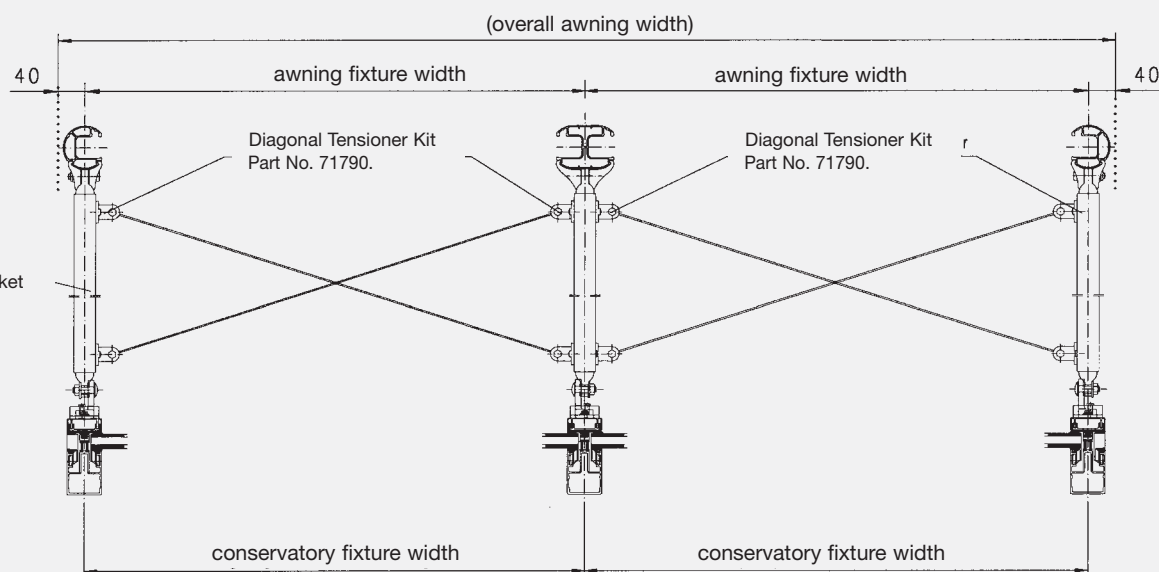


How to fit the markilux® 8000:

Face Fixture Coupling Bracket 8000
Part No. 78330.



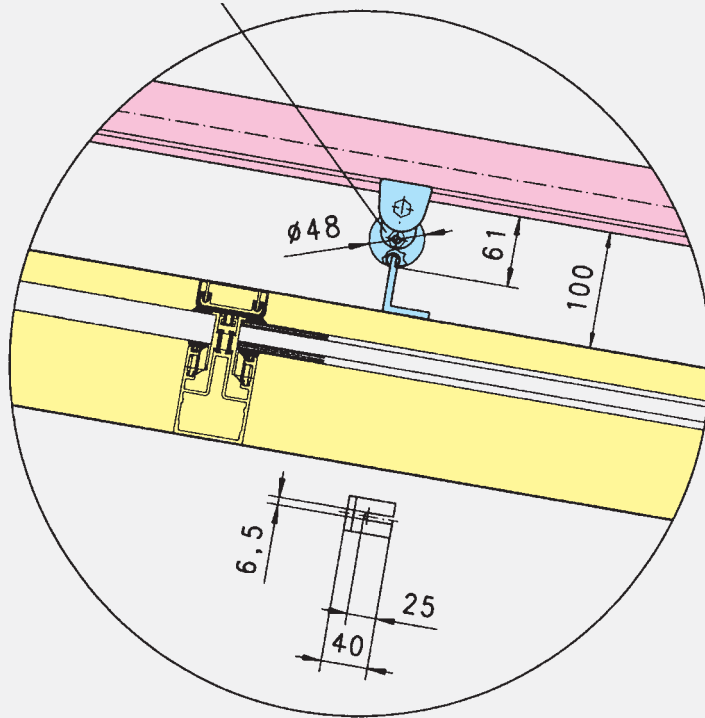
Face Fixture using a Coupling Bracket



Diagonal Tensioning for Raised Bottom Fixture

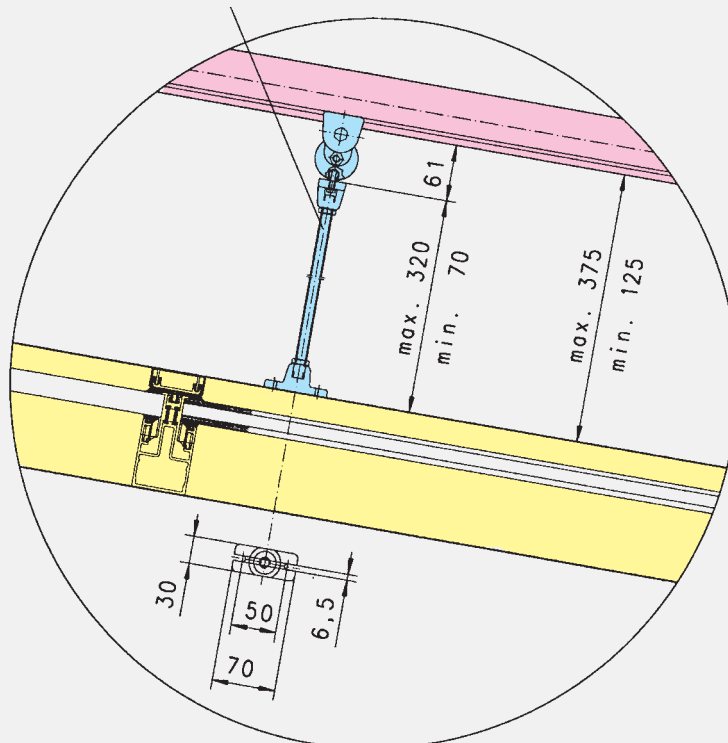
How to fit the markilux® 8000:

Cover Support Tube 8000 100 mm.
Part No. 78128.



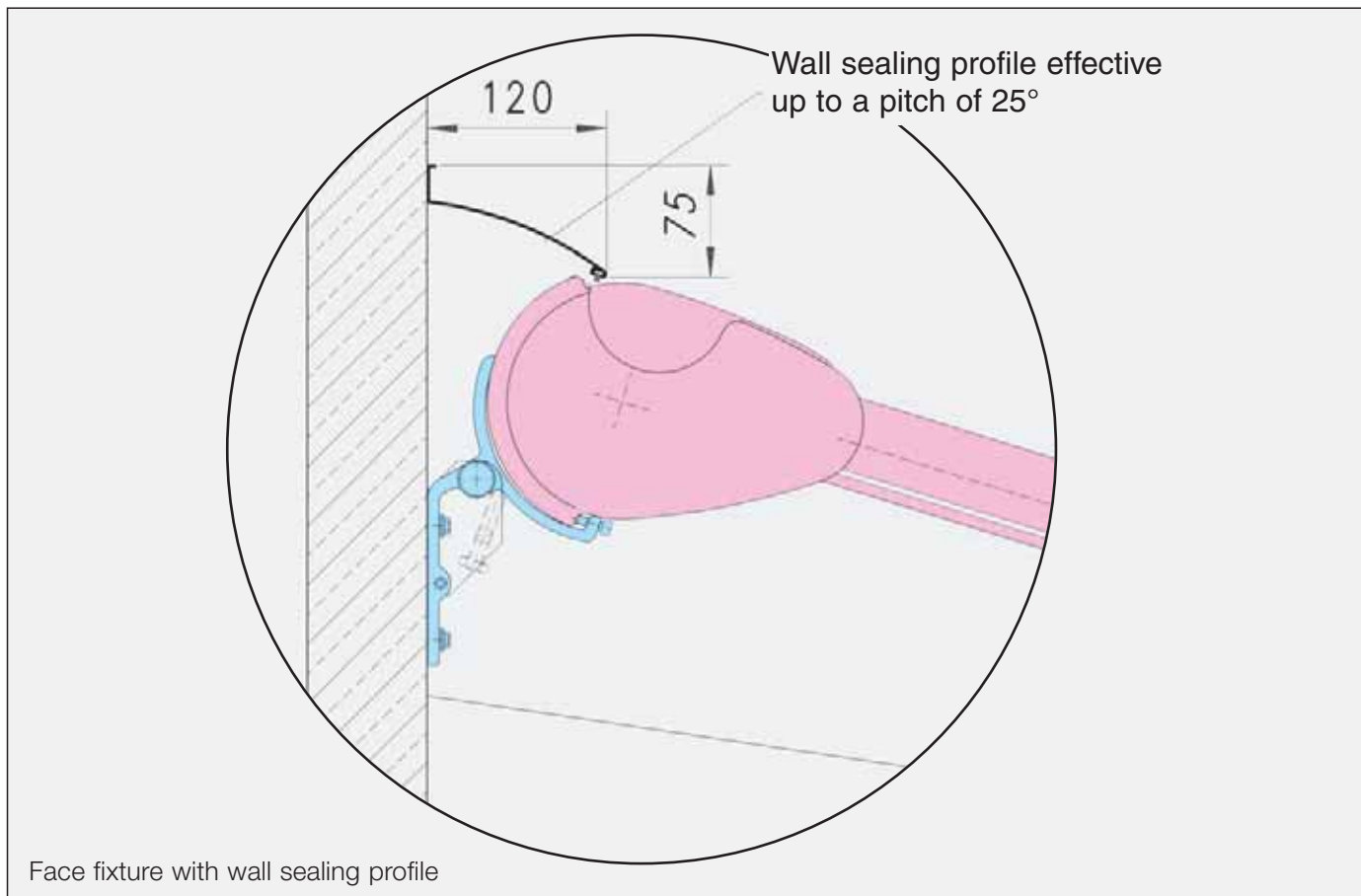
Angled Support, 100 mm.

Adjustable Support 8000
Part No. 71780.



Adjustable Support

How to fit the markilux® 8000:

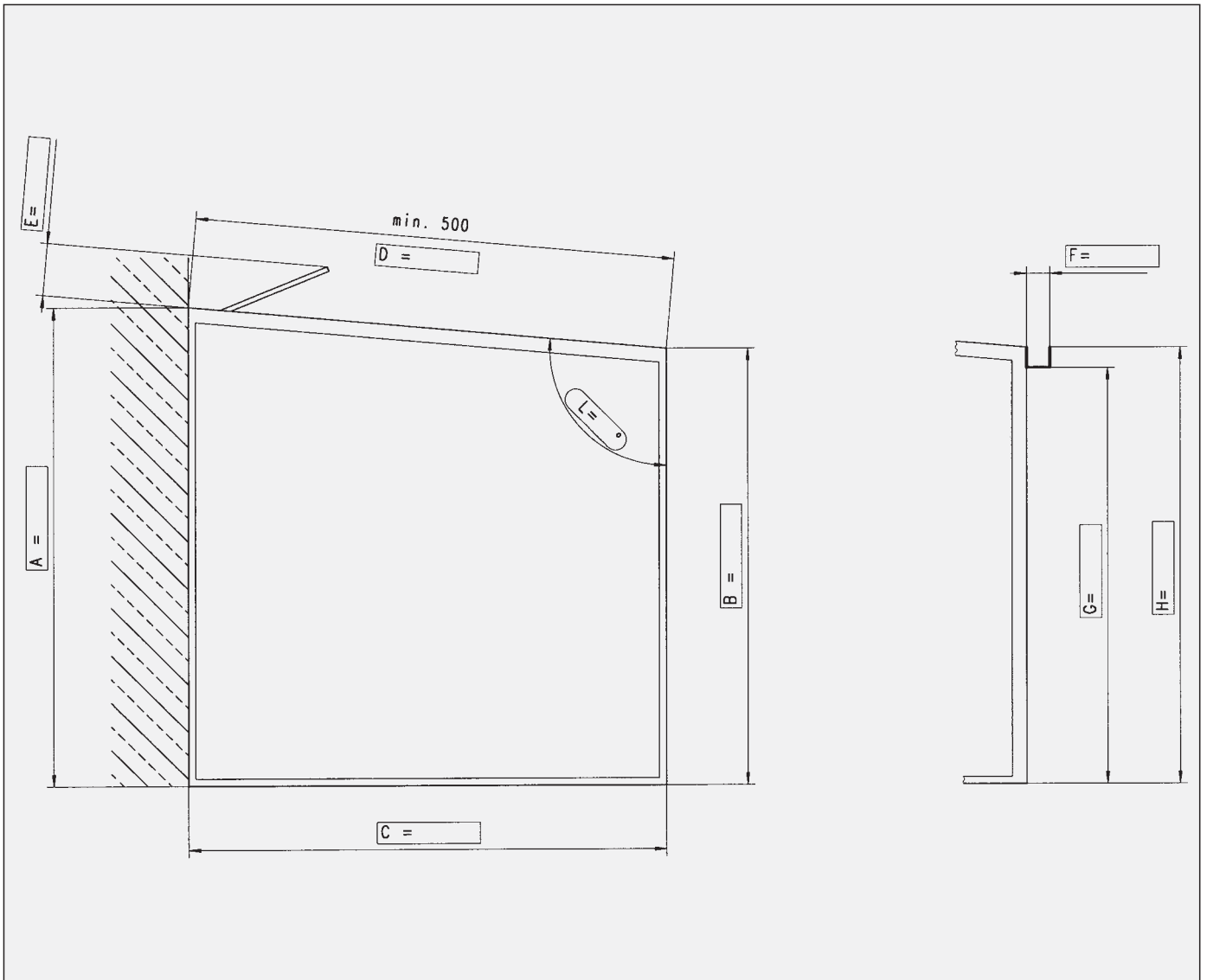


Measurement Form for a Flat-top Conservatory

Orders are to be submitted showing all the conservatory measurements shown in the diagram.

Orders will only be passed for production when all technical details have been clarified.

You will be asked to confirm the measurements by signing a technical drawing which will be faxed to you.

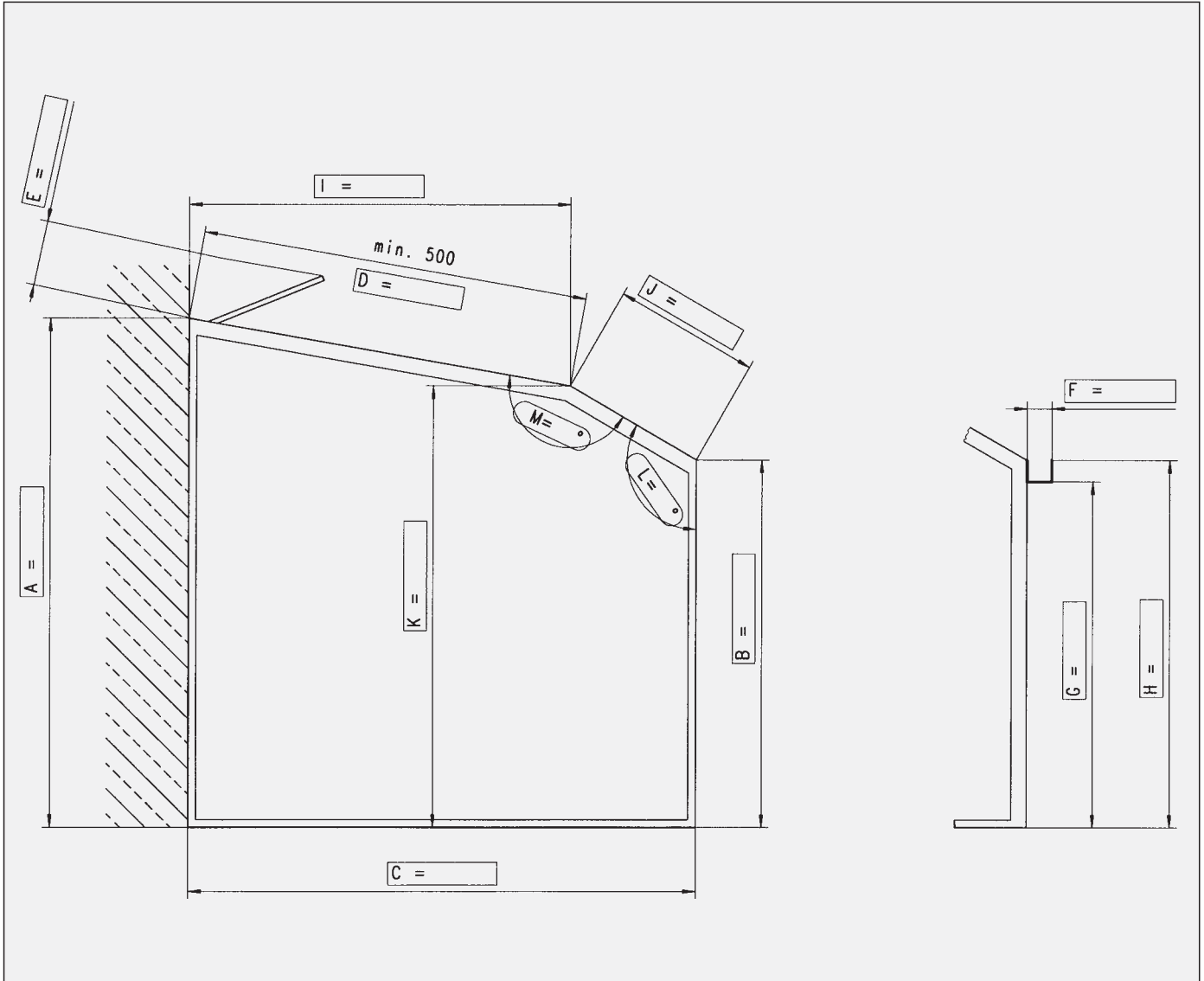


Measurement Form for a Curved Conservatory

Orders are to be submitted showing all the conservatory measurements shown in the diagram.

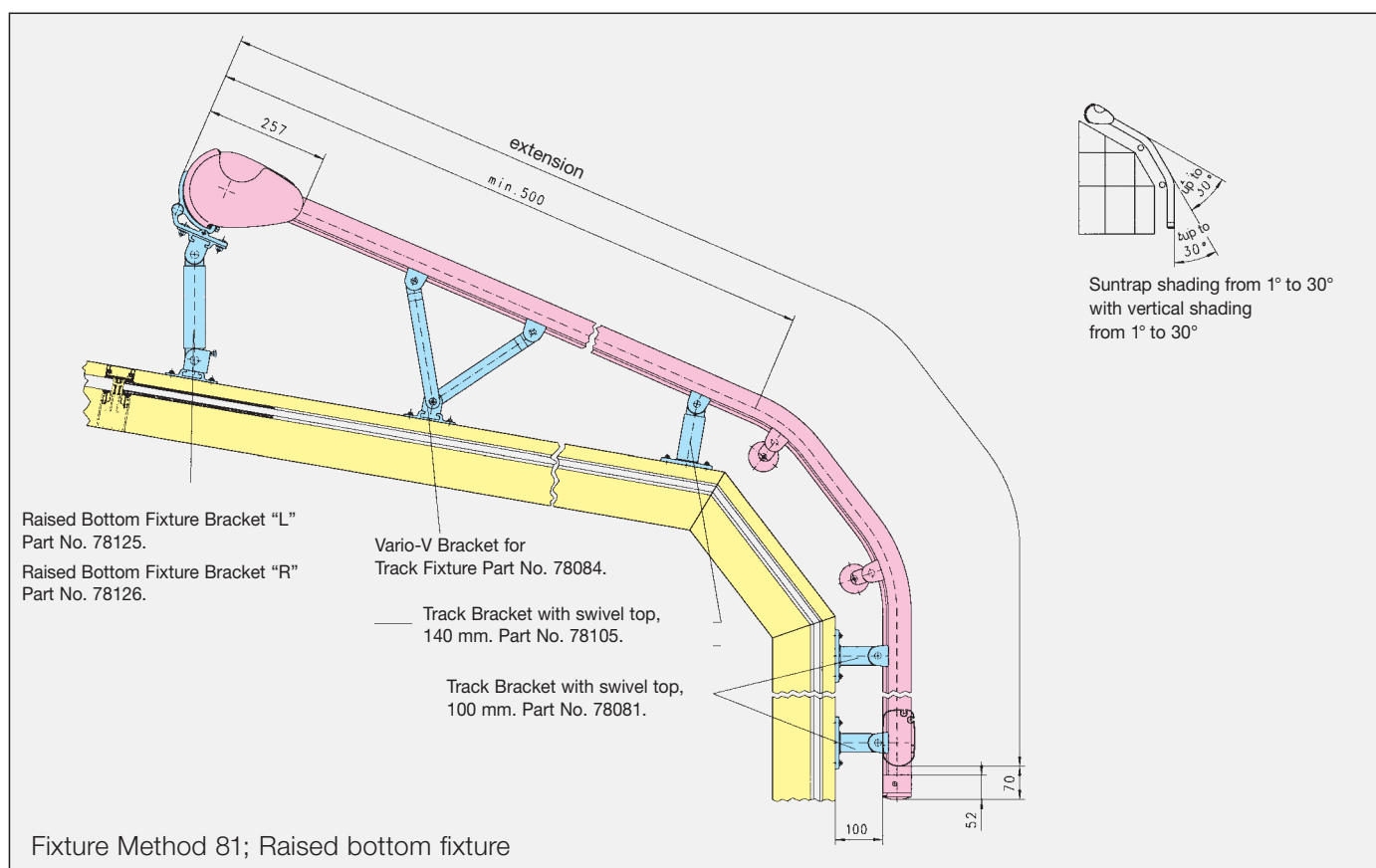
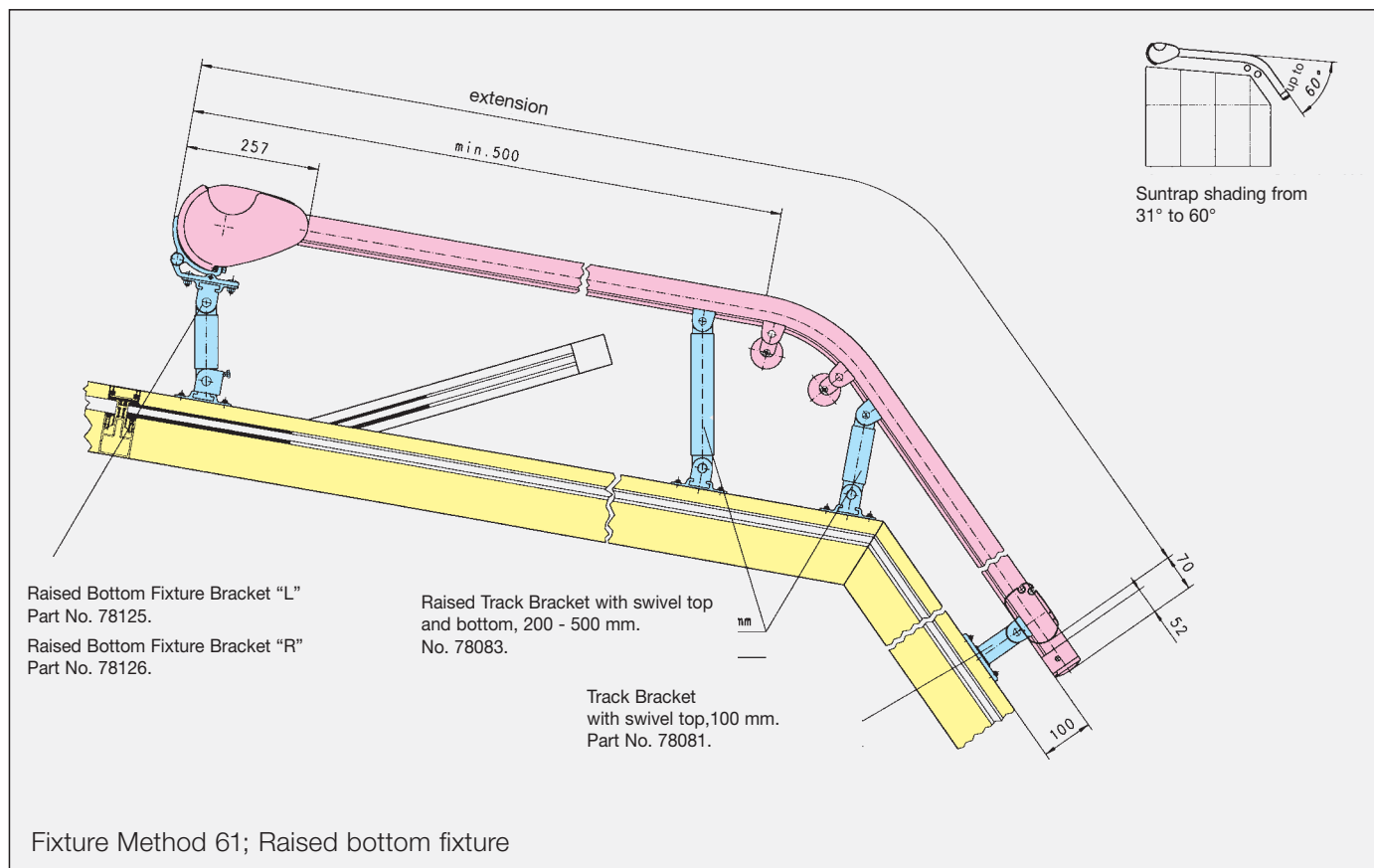
Orders will only be passed for production when all technical details have been clarified.

You will be asked to confirm the measurements by signing a technical drawing which will be faxed to you.



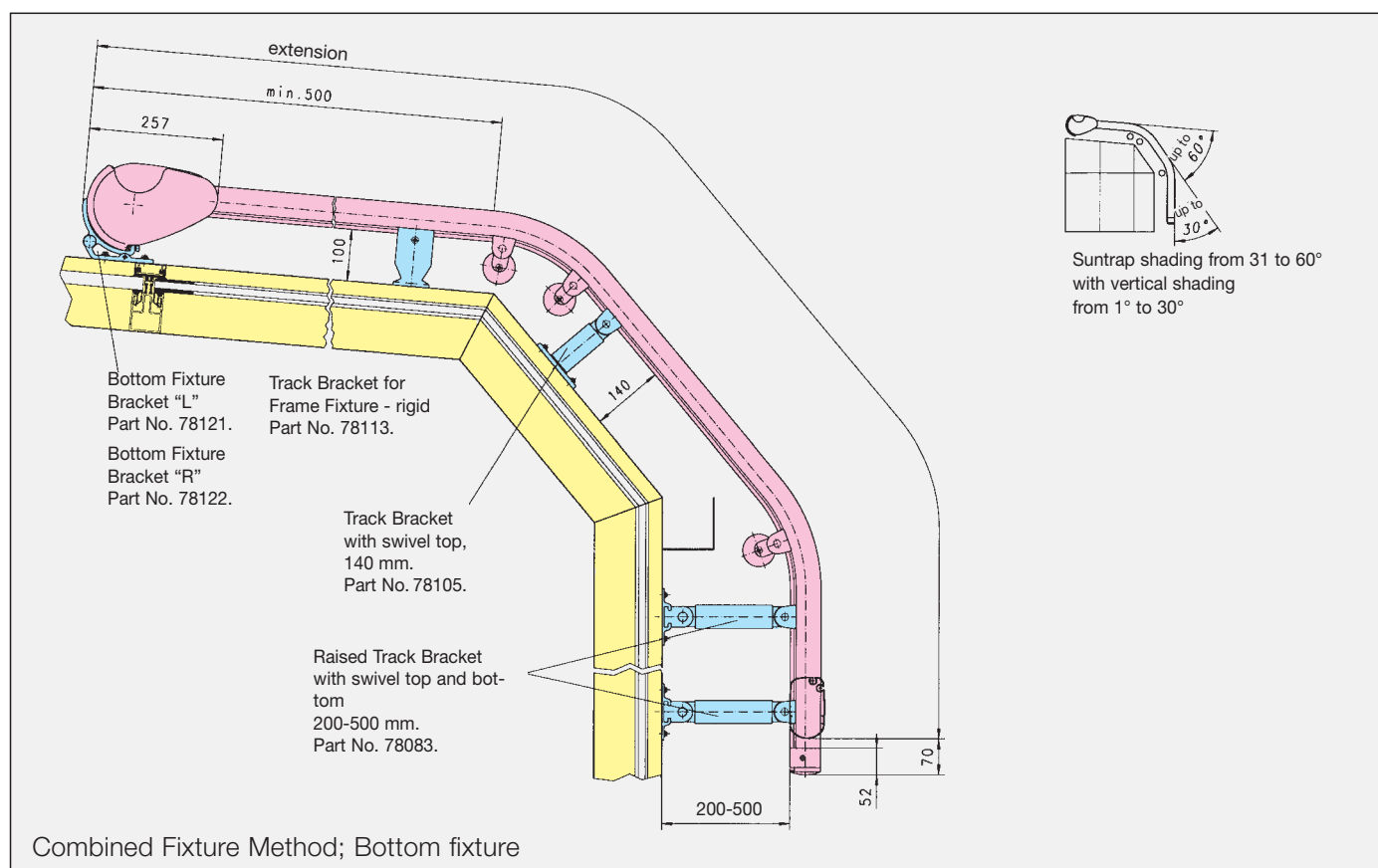
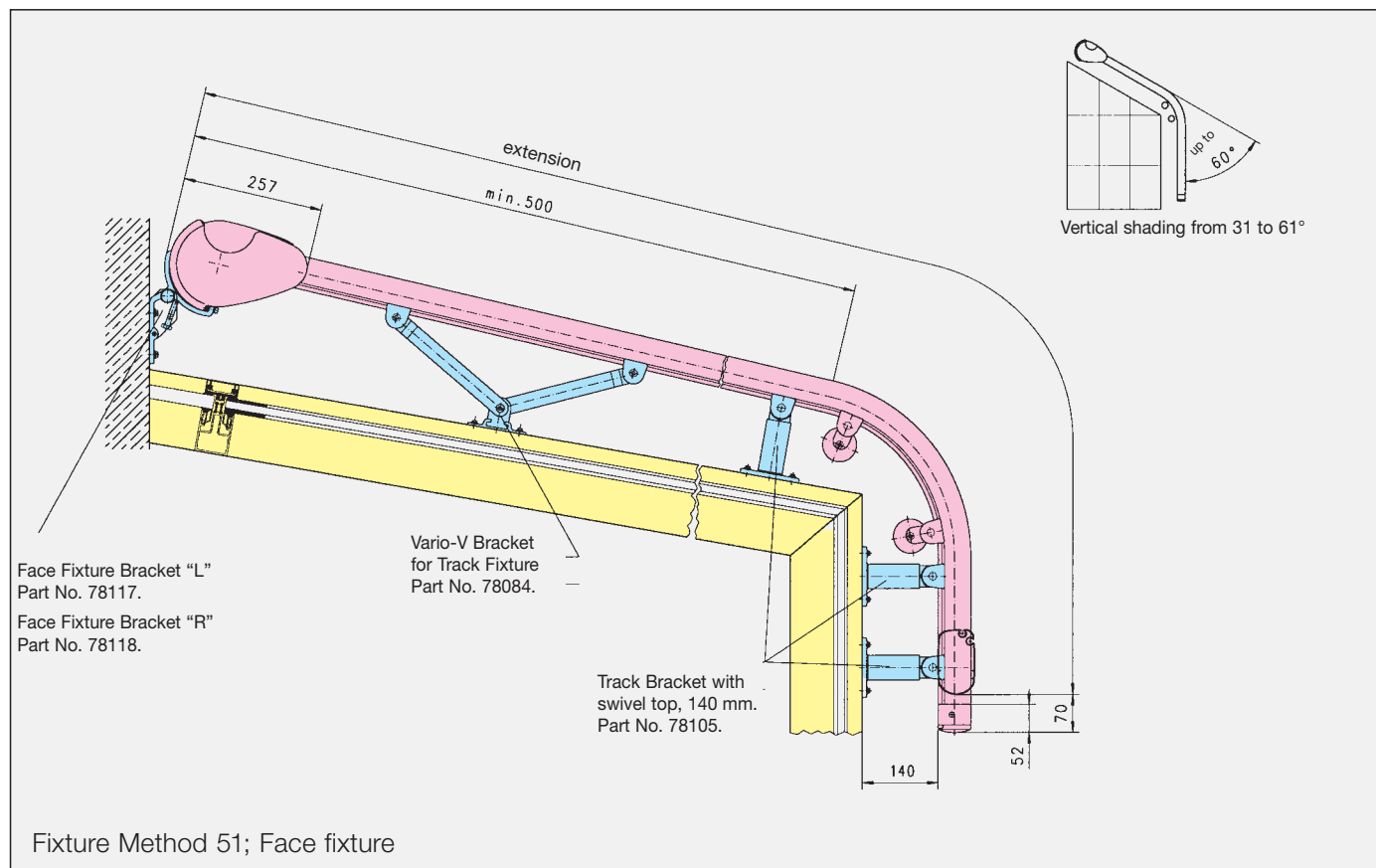
How to fit the markilux® 8000 with curved front:

The fixture methods depicted are examples of the many available.



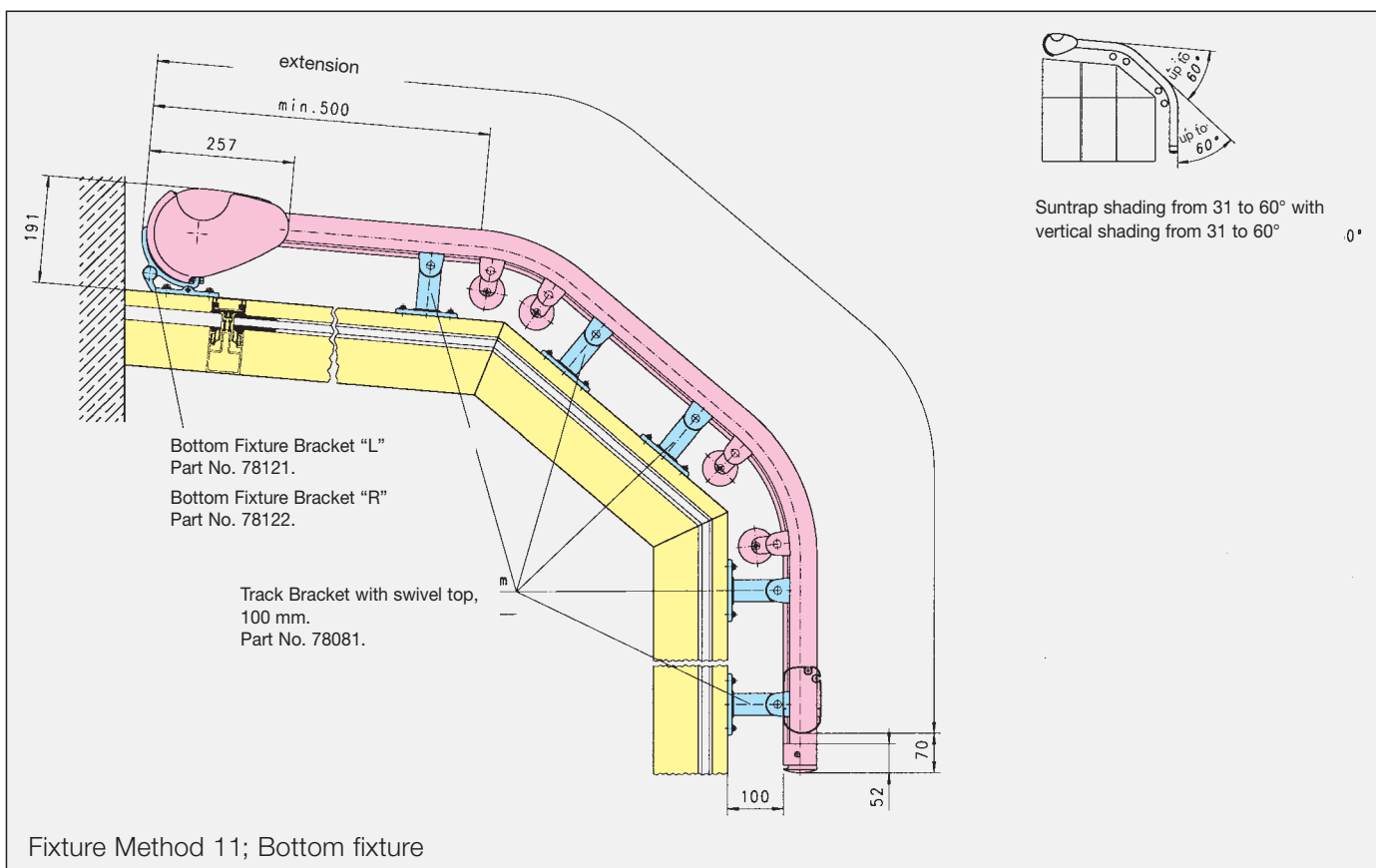
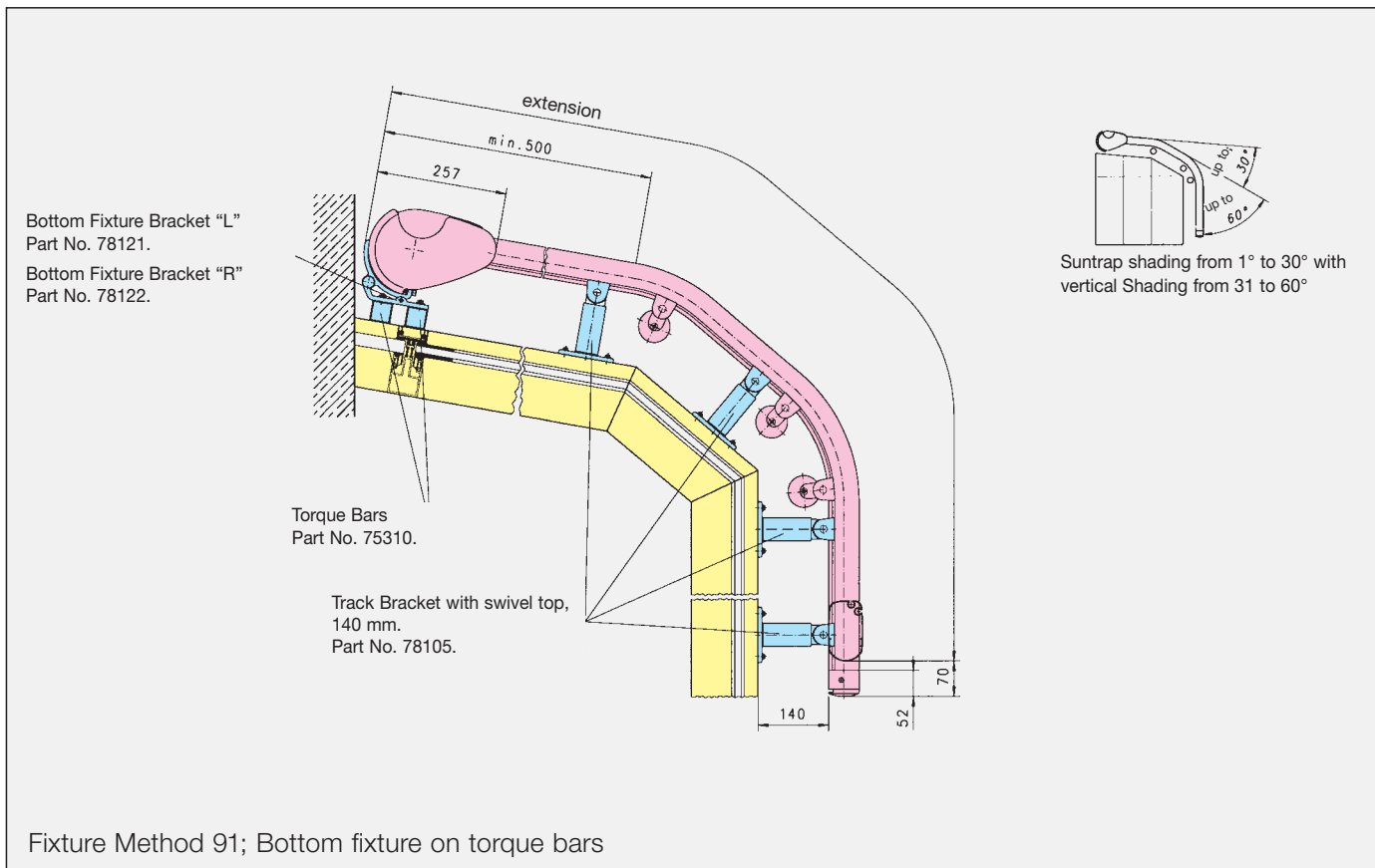
How to fit the markilux® 8000 with curved front:

The fixture methods depicted are examples of the many available.



How to fit your markilux® 8000 with curved front:

The fixture methods depicted are examples of the many available.



How to fit the markilux® 8000 with curved front:

The fixture methods depicted are examples of the many available.

