

markilux® 180

The Triangular Shading System



Triangular Shading System markilux® 180

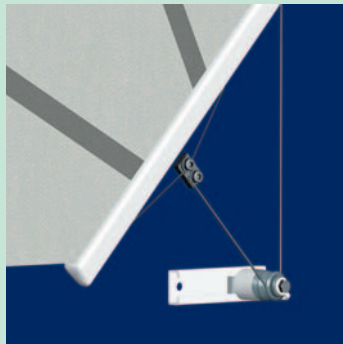
The markilux® innovation that provides triangular sunshading.
Can be used for both interior or exterior applications.



Summary of technical data

- **Cover:**
 - plain acrylic
 - plain sunsilk
 - transolair
 - Soltis 92 (with stabilising seams as depicted)
- **Dimensions:**
 - cassette 95 x 95 mm
 - max. width 3500 mm
 - max. extension 2500 mm
- **Drive technology:**
 - motor drive with spring tensioning system
 - motor cable 1 m long
 - without Hirschmann plug
(manual operation not available)
- **Cassette colour:** white, metallic aluminium, brown

Complete view of the markilux® 180



Redirectional pulley for the tensioning system



Cassette and tensioning wire/pulley

Applications

- **outside:** vertical shading of triangular windows in houses and conservatories
- **inside:** shading of angled or flat atriums or cupolas as well as vertical shading
- **surveying:** according to the dimension sheet
- **order processing:** after you have supplied the dimensions we will have a technical drawing made. Only after this has been countersigned by yourselves will we start production.

We reserve the right to make alterations without giving prior notice

Triangular Shading markilux® 180

Sample applications



Triangular Shading markilux® 180



| Dimensions | Blind/cassette width | 150 | 200 | 250 | 300 | 350 | Approx. extension time in sec. ¹⁾ |
|------------|----------------------|-----|-----|-----|-----|-----|--|
| | Extension 100 cm. | | | | | | 29 |
| | Extension 150 cm. | | | | | | 43 |
| | Extension 200 cm. | | | | | | 57 |
| | Extension 250 cm. | | | | | | 72 |
| | | | | | | | |

1) **N.B.** Motor stops automatically after 3 - 4 minutes use to prevent overheating

| Accessories | Frame polyester powder coated as standard in colour* | <input checked="" type="checkbox"/> | <table border="1"> <tr> <th colspan="2">Motor drive</th> <th>Part No.</th> </tr> <tr> <td>Standard motor for single unit</td> <td></td> <td>773441</td> </tr> <tr> <th colspan="2">Radio-controlled motor drive</th> <th>Part No.</th> </tr> <tr> <td>Exterior receiver for standard motor</td> <td></td> <td>783681</td> </tr> </table> | Motor drive | | Part No. | Standard motor for single unit | | 773441 | Radio-controlled motor drive | | Part No. | Exterior receiver for standard motor | | 783681 |
|--|--|-------------------------------------|--|-------------|--|----------|--------------------------------|--|--------|------------------------------|--|----------|--------------------------------------|--|--------|
| | Motor drive | | | Part No. | | | | | | | | | | | |
| | Standard motor for single unit | | | 773441 | | | | | | | | | | | |
| Radio-controlled motor drive | | Part No. | | | | | | | | | | | | | |
| Exterior receiver for standard motor | | 783681 | | | | | | | | | | | | | |
| Cover made from a brand make of acrylic fibre or sunsilk | <input checked="" type="checkbox"/> | | | | | | | | | | | | | | |
| SOLTIS 92 SOLTIS 86 on request | <input checked="" type="checkbox"/> | | | | | | | | | | | | | | |

* White: RAL 9016, brown: RAL 8019, metallic aluminium: RAL 9006.
Other RAL colours are available. Lead times will be given on request.

** only plain fabrics are available.

N.B. Please note the following:

Exterior shading: Cover may **only** be vertical. Give dimensions as if viewed from the outside.

Interior shading: Cover also available angled or flat. Give dimensions as if viewed from the outside.

When ordering please use the dimension sheet for the markilux® 180. On the basis of this we will make a production drawing. The order is only considered to be complete when this has been countersigned by yourselves.

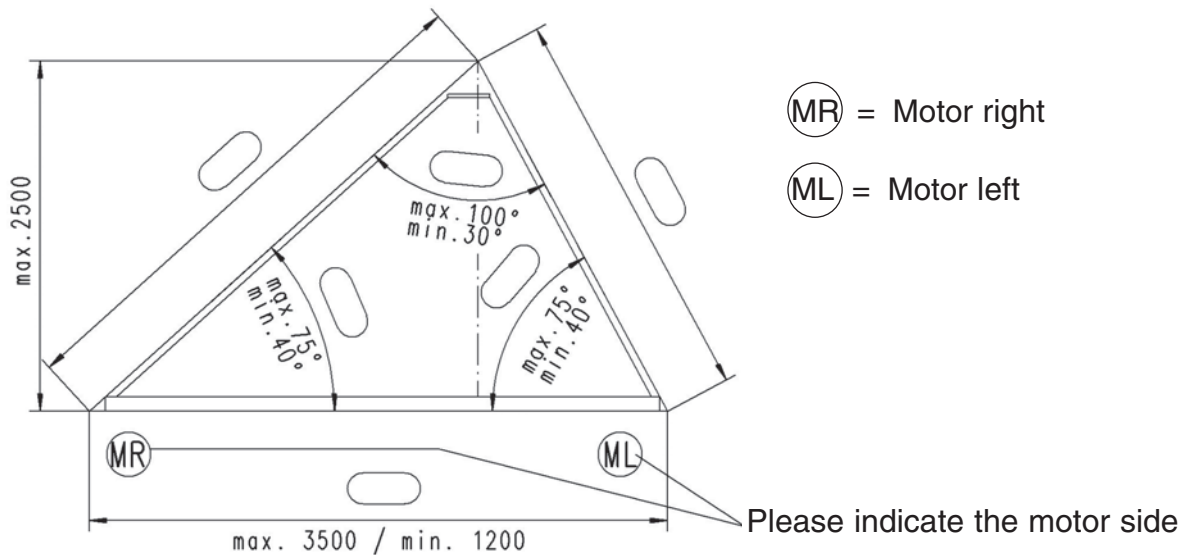
N.B.

Measure carefully! We will not take awnings back because of incorrect size. Awnings are made to measure. Please consult the special notes contained in the general information/markilux® fabric collections. We reserve the right to make alterations to our products without giving prior notice.

Triangular Shading markilux® 180

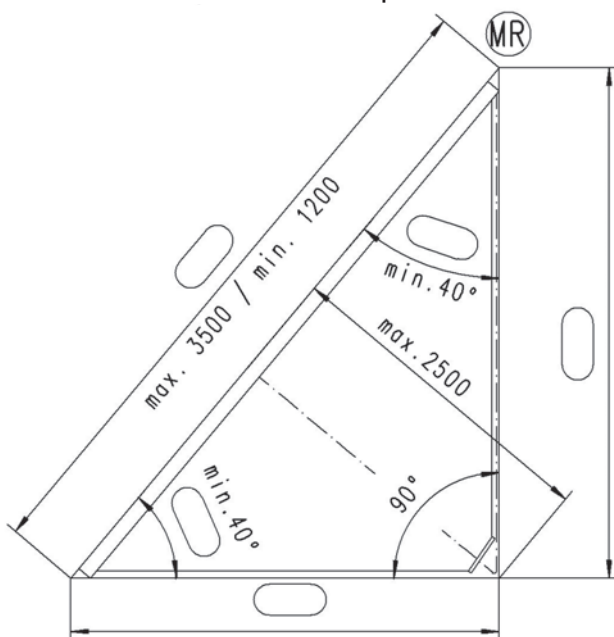
Version 1 (cassette at the bottom)

Cover tip 30° – 100°



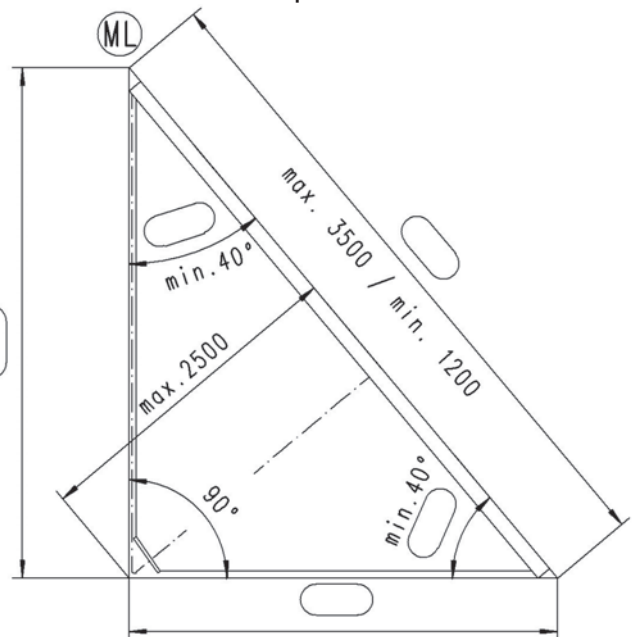
Version 2 (cassette on the left)

Cover tip 90°



Version 3 (cassette on the right)

Cover tip 90°



Please give the dimensions of all three sides or of two sides and one angle!

Exterior shading: Cover may **only** be vertical!
Give dimensions as if viewed **from the outside**.

Interior shading: Cover also available angled or flat!
Give dimensions as if viewed **from the inside**.