



markilux® 720/820

The Vertical Cassette Blind with Angled Slide Rails

The Vertical Cassette Blind markilux® 720/820

with angled slide rails



- markilux® 720

Optional Accessories:

Electric operation and automatic weather controls
Interior operation

- sturdy, self-supporting cassette
- one-piece, sturdy cassette profile which allows unlimited face and top fixture
- manual operation with universally jointed coupling and bayonet fitting
- alternatively a tubular motor with electronic limit switching is available
- covers can be made of stitched Perfotex, seamless or stitched acrylic, sunsilk and transolair fabrics or Soltis 92
- coupled units have an adjustable coupling flange
- manual operation from inside the building is also available



- Profile view markilux® 720



- Profile view markilux® 820



- Gear with universal joint and angled slide rails markilux® 820

We reserve the right to make alterations without giving prior notice.

Vertical Cassette Blind

(with angled slide rails)

markilux® 720 = square cassette ¹⁾

markilux® 820 = round cassette



Dimensions	stand. widths cm.											Approx. handle revs.	Approx. extension time in sec. ²⁾	
		75	100	125	150	175	200	225	250	275	300	gear ratio 6 : 1	Standard motor	Rad.-contr. motor
cover length 120 cm												27	19	19
cover length 160 cm												37	25	25
cover length 200 cm												48	31	31
cover length 250 cm												59	37	37
cover length 300 cm ¹⁾												69	43	43
cover length 350 cm ¹⁾												80	49	49
												17 rpm ³⁾	17 rpm ³⁾	

¹⁾ The markilux® 710 is **only** possible from a drop of 251 cm with seamless acrylic fabrics (the 349xx series) swela transolair or Soltis 92. Sunsilik up to a max. drop of 300 cm.

²⁾ **N.B.** Motor stops automatically after 3 – 4 minutes use to prevent overheating.

³⁾ **Nominal RPM**
(In the case of contract awnings the same speed of rotation of the motors cannot be guaranteed)

Available Accessories	Manual operation; winding handle with funnel connector; handle lengths: 110, 140, 160, 180, 220 cm.	<input checked="" type="checkbox"/>	gear is fitted with a universal joints and mounted inside the cassette
	Interior manual operation**	<input checked="" type="checkbox"/>	only for single units
	Electric operation	<input checked="" type="checkbox"/>	
	Frame polyester powder coated as standard in colour*	<input checked="" type="checkbox"/>	
	Cover made from a brand make of acrylic fibre, sunsilk or Perfortex	<input checked="" type="checkbox"/>	
	swela transolair	<input checked="" type="checkbox"/>	seamless covers up to a drop of 251 cm. larger drops have a horizontal seam from a blind width of 261 cm.
	SOLTIS 92	<input checked="" type="checkbox"/>	seamless covers up to a drop of 171 cm. larger drops have a horizontal seam from a blind width of 179 cm.

A maximum of two single markilux® units can be joined to make a coupled unit. These units will only be supplied with a motor (surcharge) Largest size: 2 x 300 cm.

Smallest awning width

Standard motor	71 cm
Radio-controlled motor	71 cm

Manual operation (gearbox types used)

	eye	gear reduction	end-stop with/without	worm gear	articulated joint	order number
Standard	<input checked="" type="checkbox"/>	6 : 1	<input checked="" type="checkbox"/>	<input checked="" type="checkbox"/>		713400
Interior operation		6 : 1	<input checked="" type="checkbox"/>	<input checked="" type="checkbox"/>	<input checked="" type="checkbox"/>	781200
operation from the rear	<input checked="" type="checkbox"/>	6 : 1	<input checked="" type="checkbox"/>	<input checked="" type="checkbox"/>		786921

Motors HiPro motor with electronic torque reduction mechanism and timed cut-off switch when being retracted

	Order No.
Electric operation for single units	707081 „R“ 707091 „L“
Electric operation for coupled units.	706781 „R“ 706771 „L“

Radio-controlled motor for single units	763471
Radio-controlled motor for coupled units	763321

Possible dimensional variations: (in mm.)

Overall awning dimensions	Standard widths		Intermediate widths	
	Motor	Gear	Motor	Gear
Tolerances in the width	+ 0 / - 10		+ 0 / - 10	
Tolerances in the extension	+ 20 / - 20		+ 20 / - 20	

Awning cover sizes: (in mm.)

	Motor	Gear
Cover width = (deduct from awning width)		80
Cover length = (add to awning extension)		0

Awning cover tolerances: (in mm.)

	From	To	Tolerances
(Tolerances in the width and drop of the cover)	0	2000	+ 5 / - 5
	2010	3000	+ 8 / - 8

Not available: fabric series 364xx, PVC fabrics (ERA, Mehler etc.)

* White: RAL 9016, brown: RAL 8019, metallic aluminium: RAL 9006. Other RAL colours are available. Lead times will be given on request.

** This operation type demands exact fixture and generally speaking is more expensive for the end consumer. We suggest therefore, that a radio-controlled motor be recommended to the customer.

N.B.

Measure carefully! We will not take awnings back because of incorrect size. Awnings are made to measure.

Make a special note if an awning is to be fitted into a reveal, and note the reveal width separately.

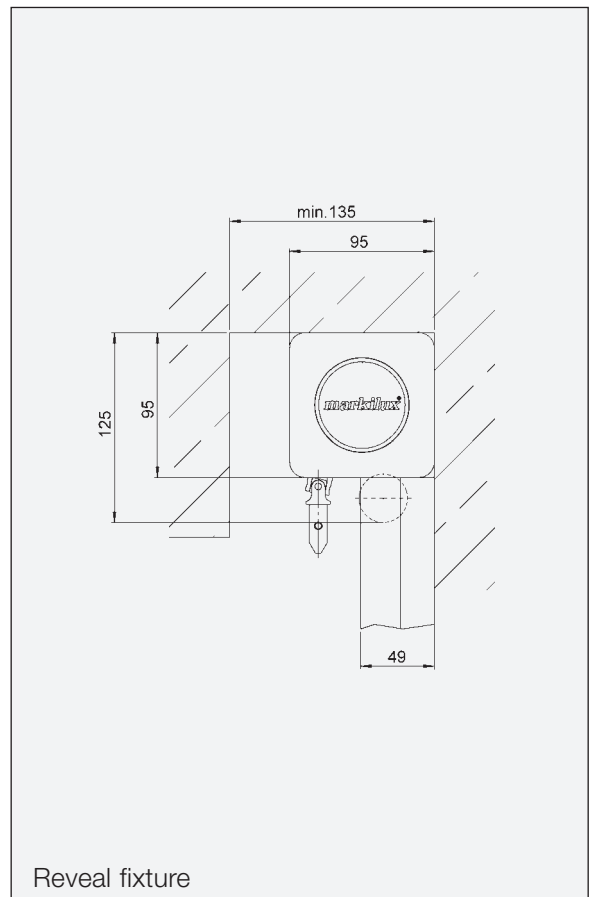
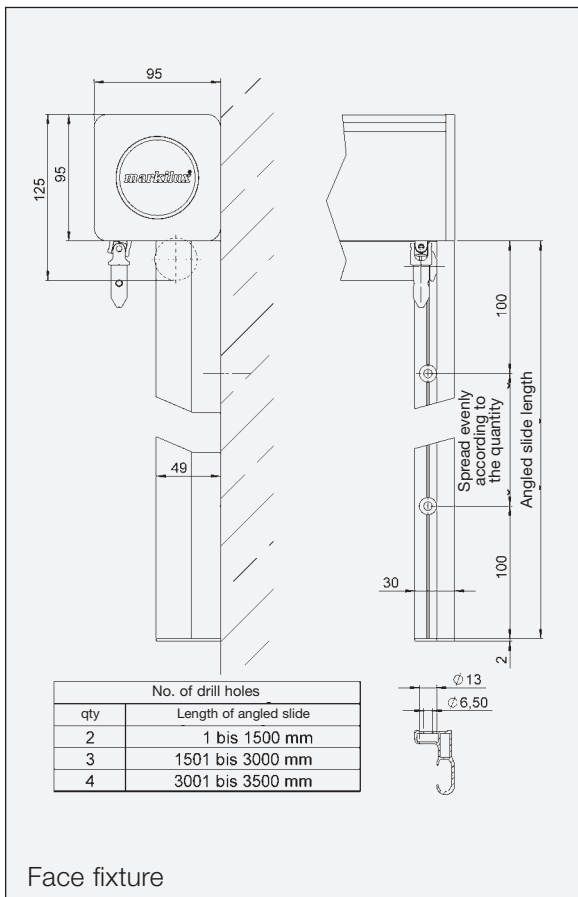
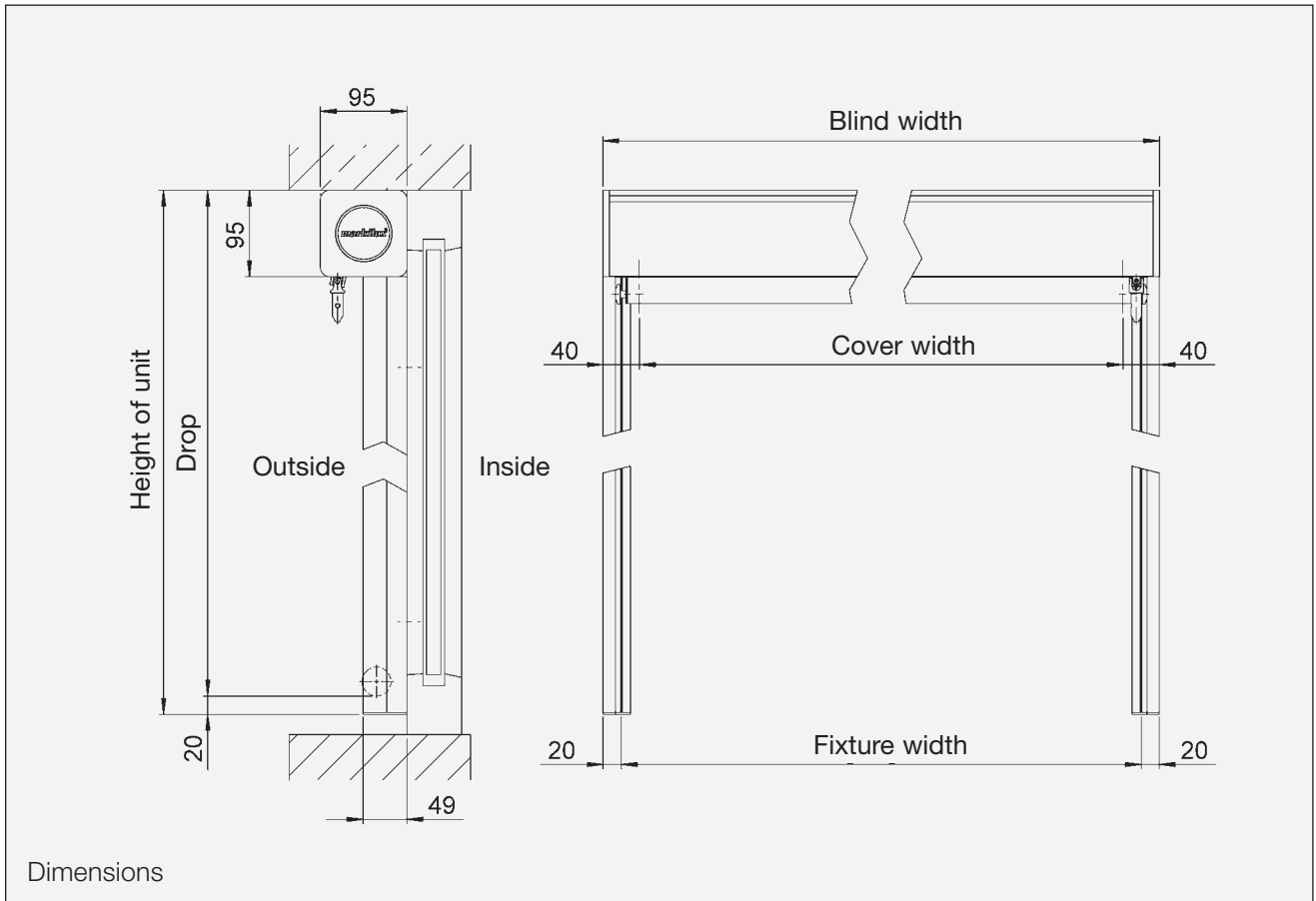
If coupled awnings or blinds are to be fitted into a reveal or between two walls the overall width of the coupled awning must be 6 cm less than the width of the opening to allow the awnings/blinds to be coupled together.

The operation side should be given as if viewed from the outside.

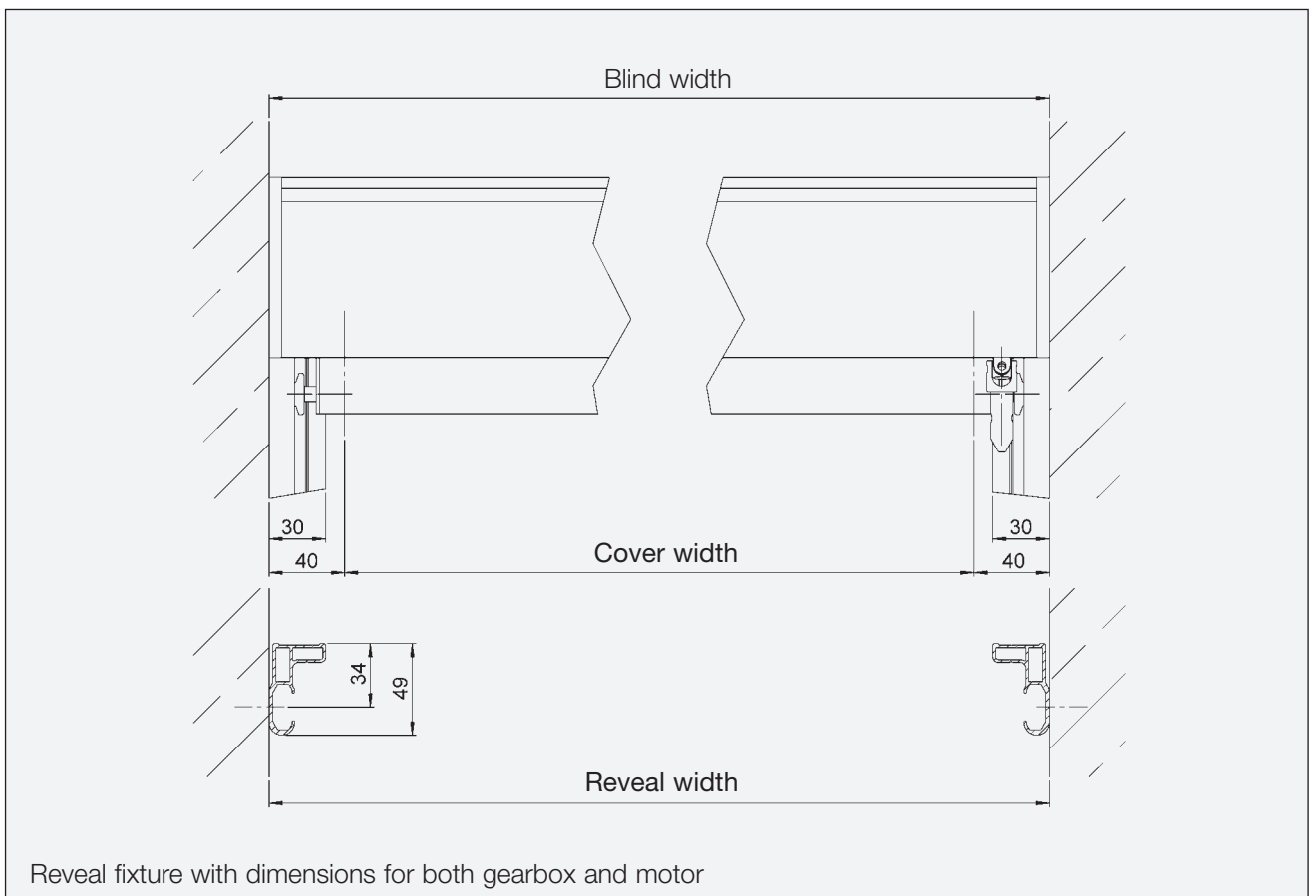
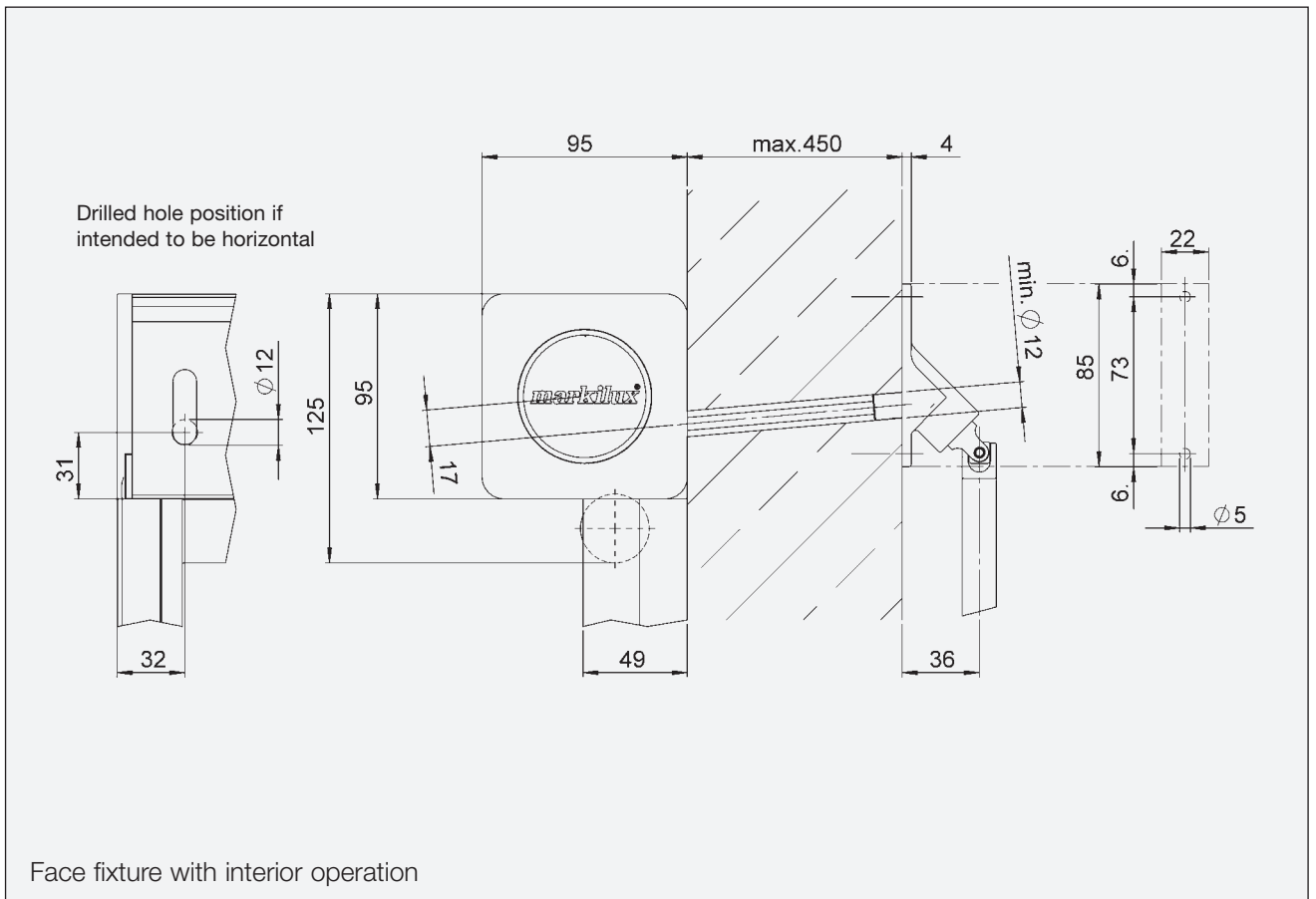
Please consult the special notes contained in the general information/markilux® fabric collections.

We reserve the right to make alterations to our products without giving prior notice.

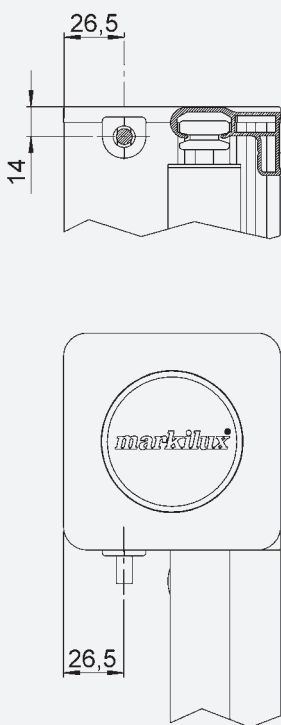
How to fit the Vertical Cassette Blind markilux® 720:



How to fit the Vertical Cassette Blind markilux® 720:

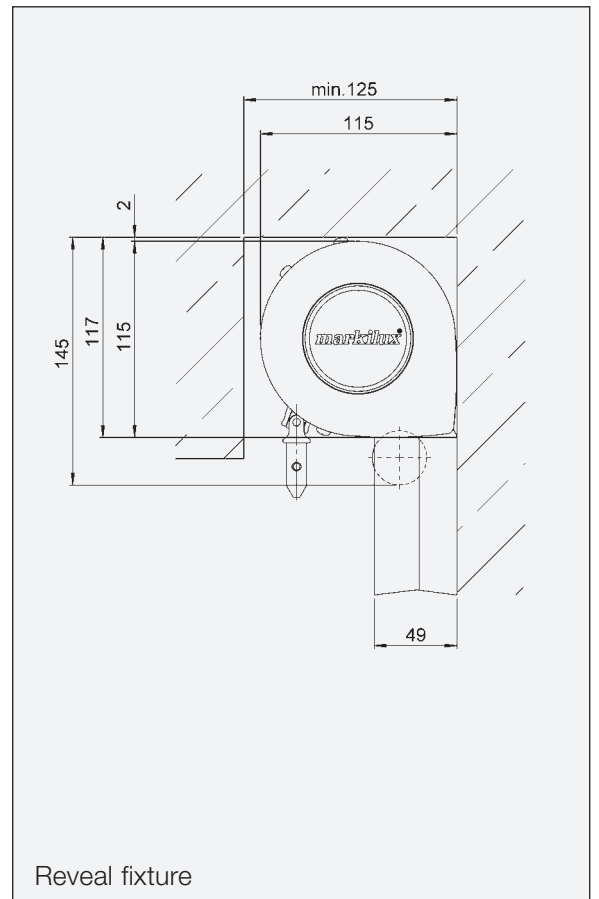
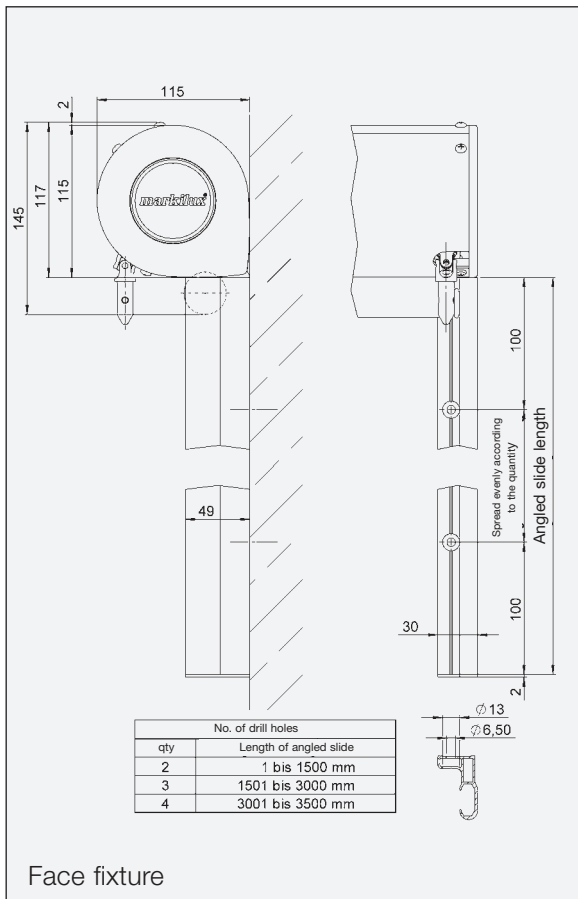
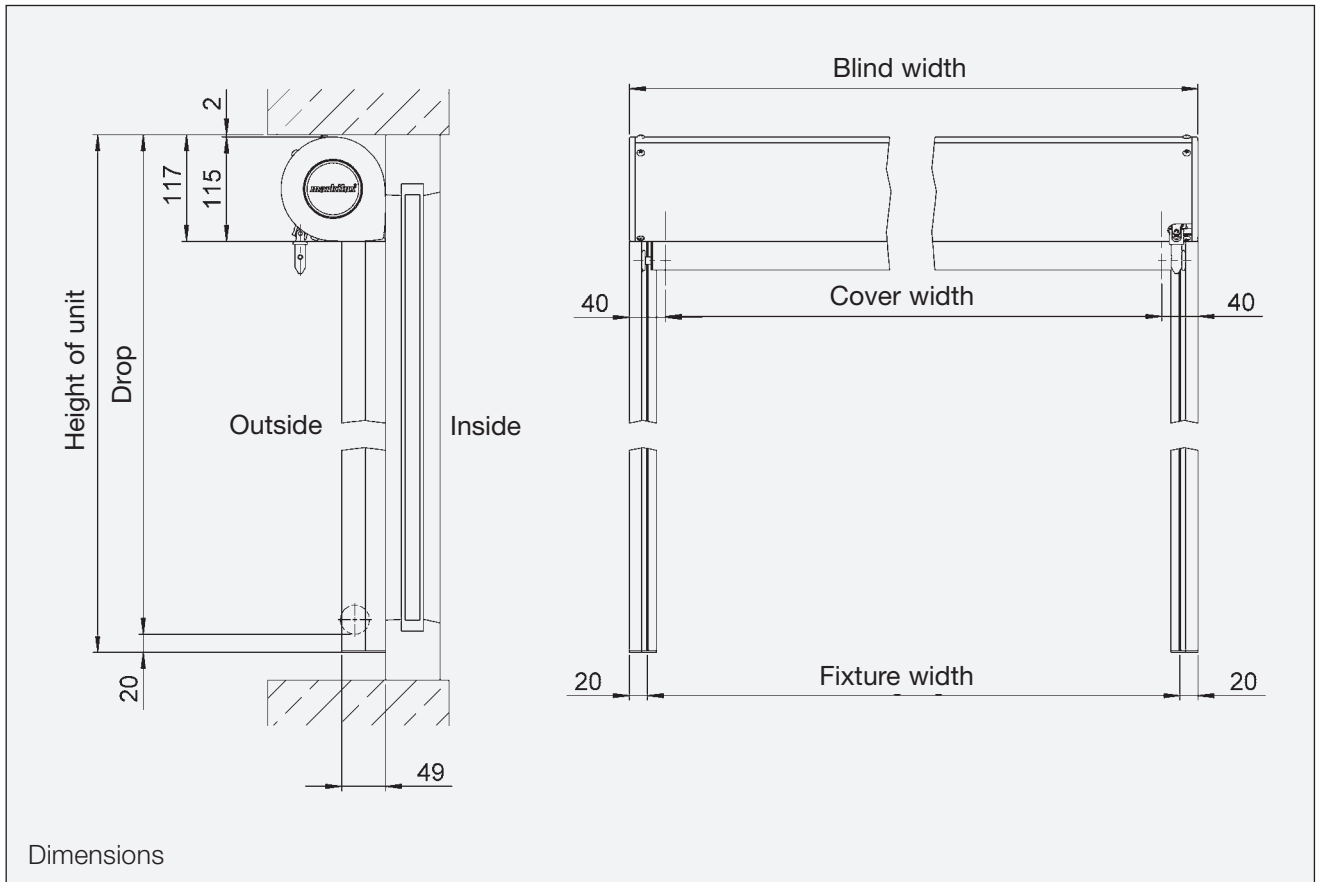


How to fit the Vertical Cassette Blind markilux® 720:

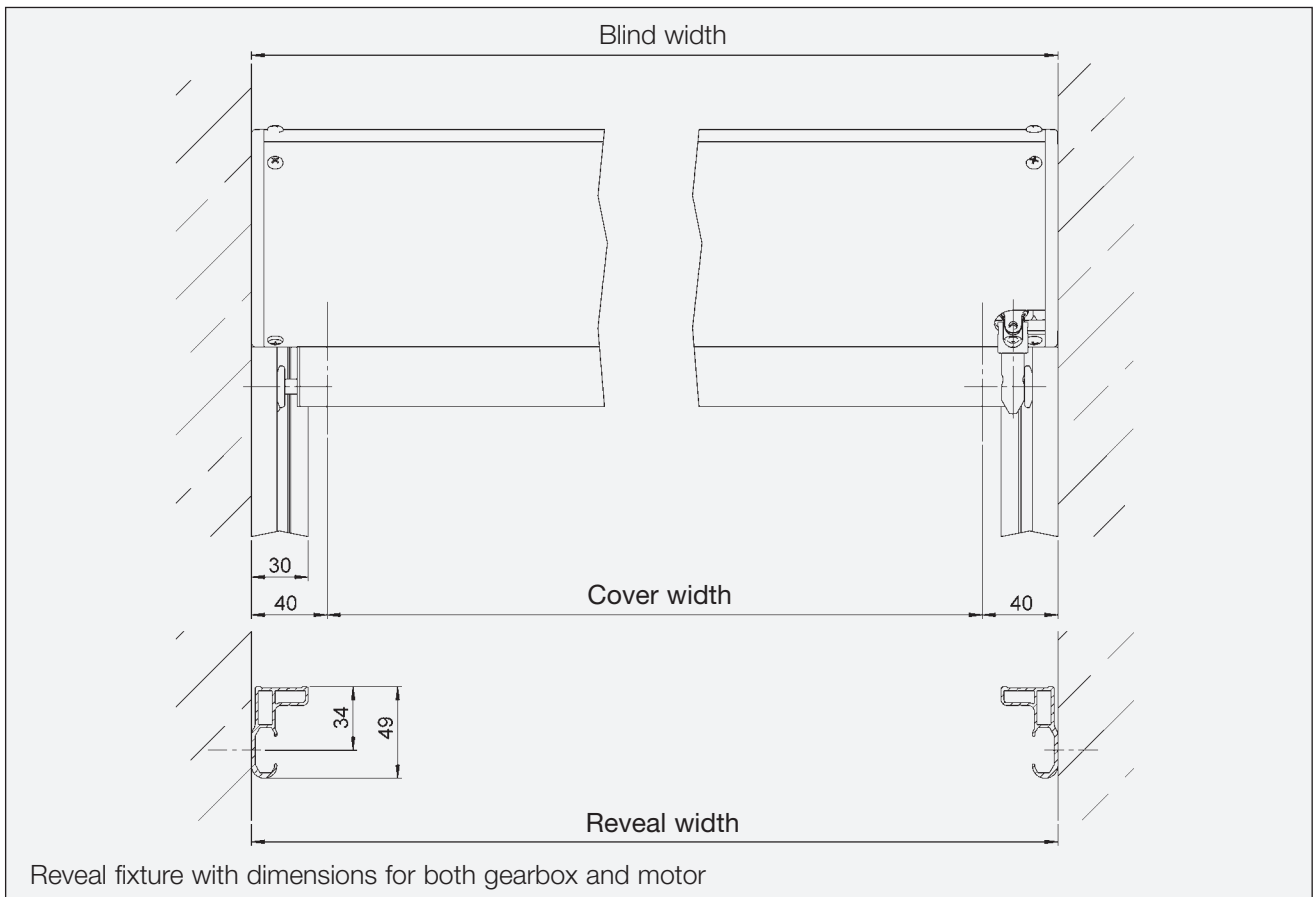
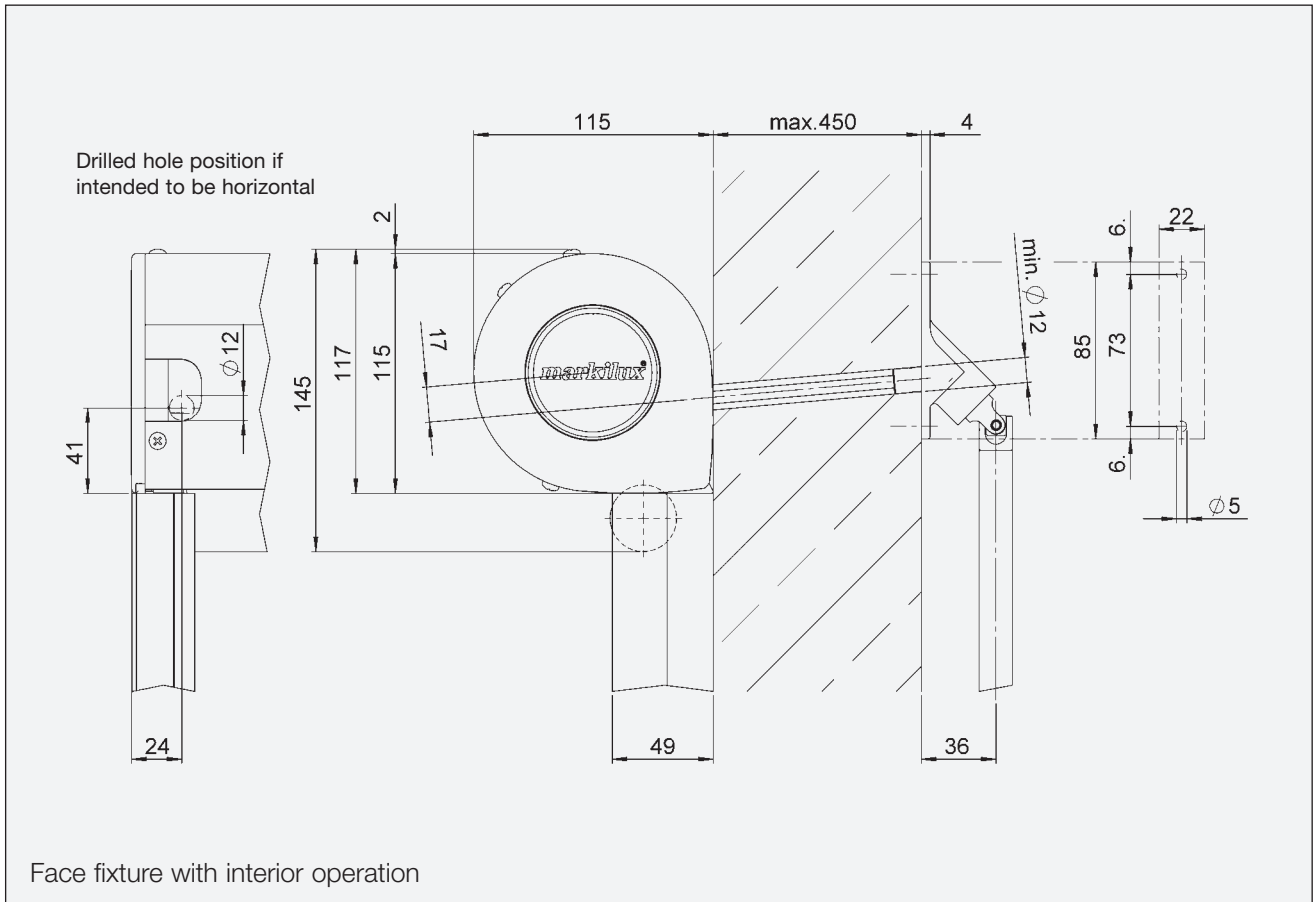


Cable exit on motor-driven units

How to fit the Vertical Cassette Blind markilux® 820:



How to fit the Vertical Cassette Blind markilux® 820:



How to fit the Vertical Cassette Blind markilux® 820:

