

**markilux®**

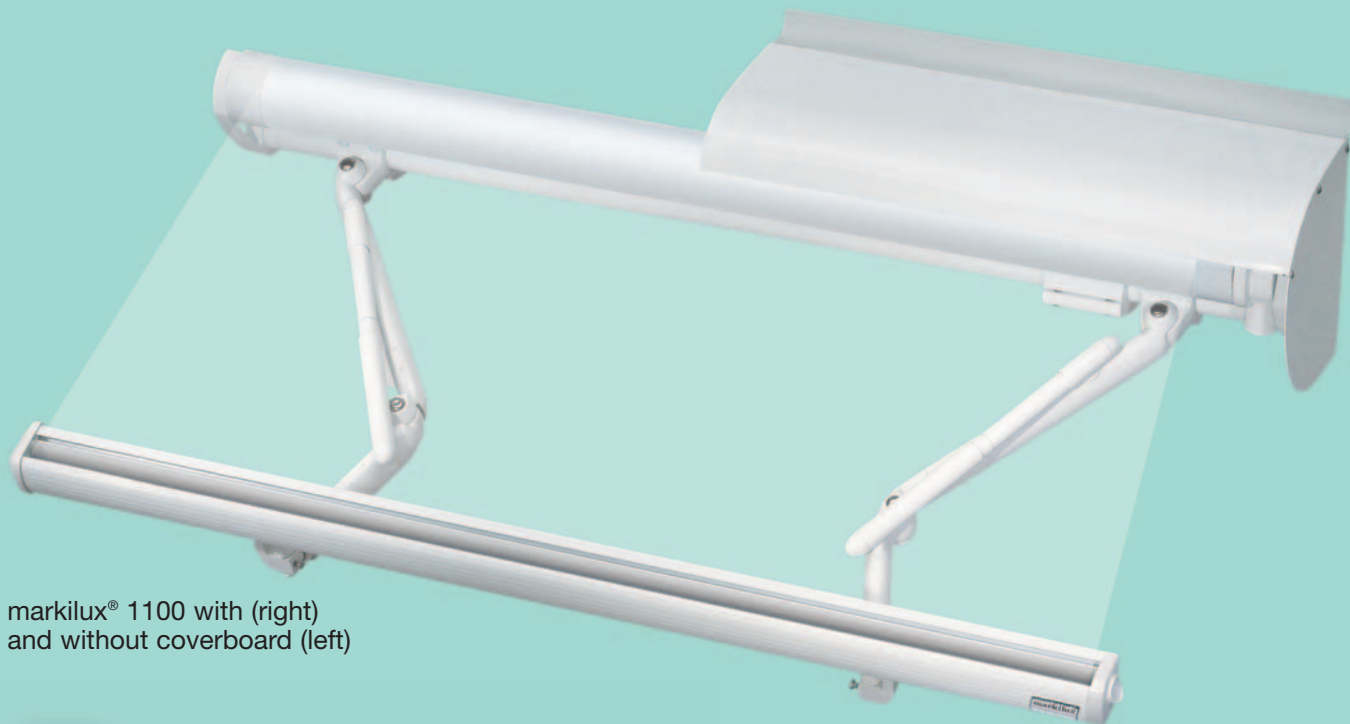


**markilux® 1100**  
**Uncompromising markilux® Technology**

at a more than affordable price

# Folding-arm Awning markilux® 1100

Contemporary design combined with proven markilux® technology and in the lowest price category



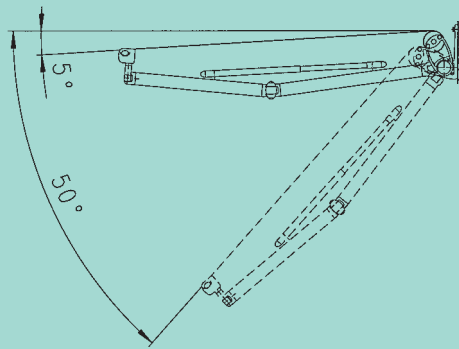
markilux® 1100 with (right) and without coverboard (left)

## **Optional Accessories:**

- Shadeplus
- Electric operation and controls
- Coverboard (adjustable in height)
- Top fixture



markilux® 1100 retracted without coverboard

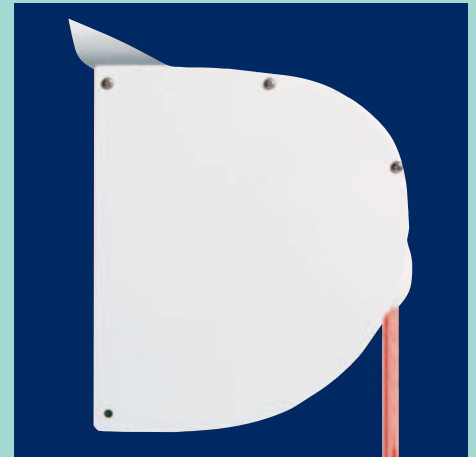


The pitch is adjustable between 5° - 50° (not by pitch adjustment gear)

- the super strong, round steel torque bar, 50 mm. in diameter, prevents twist and bow
- the appealing oval arms with their improved gas-primed pistons keep the cover particularly taut - even if the unit is only partially extended
- sturdy yet elegant front profile is made of aluminium with a built-in gutter and concealed water spouts
- the strong, proven roller with a diameter of 85 mm. ensures the cover rolls up evenly
- get to grips with real quality - a markilux® winding handle
- the coverboard (surcharge) is adjustable in height, giving maximum protection at every pitch
- larger awnings are fitted with a rolltex bearing which gives the roller added support
- a shadeplus - the awning within an awning - can be integrated into the front profile (surcharge)



Simple pitch adjustment



The retracted awning with coverboard (surcharge) and rubber sealing strip



Top fixture



Awning in the process of being extended by means of the gas-primed pistons



With integrated gutter and water spouts

# The markilux® 1100 Open Folding-arm Awning



Folding-arms with gas pistons										Approx. handle revs.	Approx. extension time in sec. <sup>3)</sup>		
Dimensions	Standard widths in cm.	250	300	350	400	450	500	550	600	650	Gearbox 5:1	Standard motor	Rad.-contr. motor
	Arm length 150 cm.										22	23	19
	Arm length 200 cm.										30	30	25
	Arm length 250 cm.	-									37	36	30
	Arm length 300 cm.	-	-								45	43	35
	Arm length 350 cm. <sup>1) 2)</sup>	-	-	-							62	49	41
	No. of face fixture brackets	2			3			5					
	No. arms/rolltex bearings	2 / 0			2 / 1 <sup>1)</sup>						14 rpm <sup>4)</sup>	17 rpm <sup>4)</sup>	

- 1) not possible with oversized material.
- 2) the shadeplus is **only** available at **350 cm** arm length up to a width of **550 cm**.
- 3) **N.B.** Motor stops automatically after 3 – 4 minutes use to prevent overheating.
- 4) **Nominal r.p.m.**  
It cannot be guaranteed that a bank of awnings will all run at the same speed. This is due to the tolerances in the r.p.m. of the motors.

Available Accessories	Manual operation winding handle: 110, 140, 160, 180, 220 cm	<input checked="" type="checkbox"/>
	Servo-assisted manual operation as standard	<input checked="" type="checkbox"/>
	Motor drive switch recommended	<input checked="" type="checkbox"/> pressure switch
	Manually operated shadeplus	<input checked="" type="checkbox"/>
	Coverboard with rubber sealing strip	<input checked="" type="checkbox"/>
	Side blind	<input checked="" type="checkbox"/>
	Frame polyester coated as standard in colour*	<input checked="" type="checkbox"/>
	Cover made of a brand name of acrylic material or sunsilk	<input checked="" type="checkbox"/>
PVC cover	<input checked="" type="checkbox"/> up to a width of 600 cm. and an arm length of 250 cm.	

## Manual operation (gearboxes employed)

universal joint	eye	gear reduction	end-stop with	without	worm gear	bevel gear	order number
	<input checked="" type="checkbox"/>	5:1	<input checked="" type="checkbox"/>			<input checked="" type="checkbox"/>	72161. „L“ * 72162. „R“ *

1 = black; 3 = white

## Motor drive

	Order No.
Standard motor up to 2 folding arms	776111
Standard motor up to 4 folding arms	763381
Radio-controlled motor up to 2 folding arms	763341
Radio-controlled motor up to 4 folding arms	763351

## Possible dimensional variations: (in mm.)

Overall width of the awning	Standard widths		Intermediate widths 1 = black 3 = white	
	Motor	Gear	Motor	Gear
Tolerances in the width	+0/-30	+0/-10	+5/-5	+5/-10
Tolerances in the extension	+40 / -40		+40 / -40	

## Awning cover sizes: (in mm.)

	Standard widths		Intermediate widths	
	Motor	Gear	Motor	Gear
Cover width = (deduct from awning width)	150		150	
Cover length = (add to awning extension)	180		180	

## Awning cover tolerances: (in mm.)

(Tolerances in the width and length of the cover)	From	To	Tolerances
	0	2000	+5 / -5
	2010	4000	+8 / -8
	4010	6000	+12 / -12
	6010	6500	+15 / -15

Not available: pitch adjustment gear, shadeplus


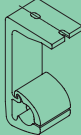


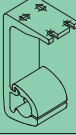

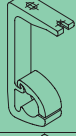



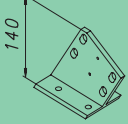
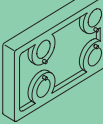
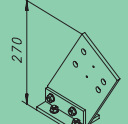
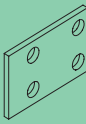
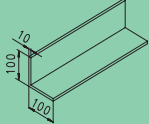
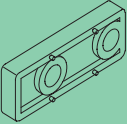
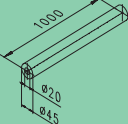
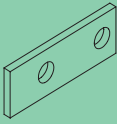
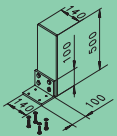
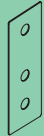
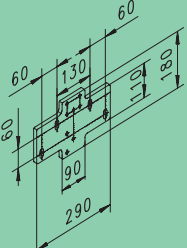

\* White: RAL 9016, brown: RAL 8019, metallic aluminium: RAL 9006 and light ivory: RAL 1015. Other RAL colours are available. Lead times will be given on request.

**N.B.** Correct operation can only be guaranteed if the awning is fitted horizontally on a vertical sub-structure. Measure carefully! We will not take awnings back because of incorrect size. Awnings are made to measure. The arm length is measured with the awning tilted at 15° from the wall over the cover to the leading edge of the front profile. The shadeplus drop is measured from the bottom edge of the shadeplus profile to the bottom edge of the valance profile. Coupled awnings can be supplied up to 1300 cm (only motorised). They can be fitted with junction rollers except when the arm length is the maximum for the width of each awning. There is a chance of the pattern not matching where junction rollers are concerned. If coupled awnings are fitted into a recess or between walls, the overall width of the coupled awning must be 6 cm. less than the width of the opening to allow the awnings to be coupled. Make a special note if an awning is to be fitted into a recess/reveal, and note the recess/reveal width separately. **The operation side should be given as if seen from the outside.** Please consult the special notes contained in the general information/markilux fabric collections. We reserve the right to make alterations without giving prior notice.

# The markilux® 1100 Open Folding-arm Awning



## Fixtures and Accessories

Part	Description	Part No.	Part	Description	Part No.
	Face fixture bracket assembly 90 mm	77228.		Fixture plate for face fixture bracket	79341.
	Face fixture bracket assembly 45 mm	77248.		Spacer plate wall 90 x 200 x 18 mm <b>N.B.! *200 mm</b>	730701
	Top fixture bracket assembly 90 mm	77152.		Spacer plate wall 90 x 200 x 8 mm	730531
	Top fixture bracket assembly 45 mm	77166.		Spacer plate wall 45 x 200 x 18 mm <b>N.B.! *200 mm</b>	771641
	Eaves fixture bracket assembly, complete 90 mm	77153.		Spacer plate wall 45 x 200 x 8 mm	730571
	Eaves fixture bracket 140 mm	76400.		Spacer plate soffit 140 x 90 x 18 mm <b>N.B.! *200 mm</b>	730801
	Eaves fixture bracket assembly 270 mm	76403.		Spacer plate soffit 140 x 90 x 8 mm	730541
	Angled profile 100 x 100 mm available by the metre undrilled	793800 machine finish 79380.		Spacer plate soffit 145 x 50 x 18 mm <b>N.B.! *200 mm</b>	730501
	Stand-off tube 45 x 12,5 mm <b>N.B.! *120 mm</b>	701653 light grey		Spacer plate soffit 145 x 50 x 8 mm	730521
	Flat and angled bracket for eaves fixture	764900 machine finish		Decorative plate for external insulation 85 x 240 x 2 mm	71501.
	Top fixture bracket assembly for central fixture	78195.		Decorative plate for external insulation 130 x 240 x 2 mm	71502.

. = insert RAL colour code no.

\* Recommended max. = xxx mm

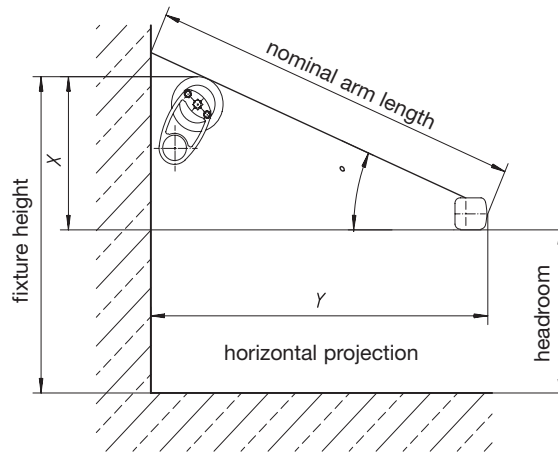
We reserve the right to make alterations without giving prior notice.

# Important measurements for fitting the markilux® 1100:

Measurements may vary slightly. All dimensions in cm.

## Angle of pitch/walk-under height

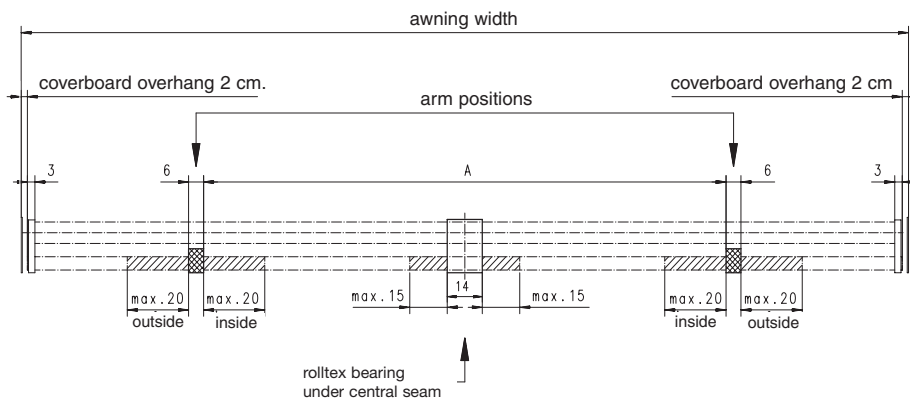
headroom = fixture height - X



pitch	arm length in cm					
	150	200	250	300	350	
5°	X	18	22	27	31	35
	Y	149	200	249	299	349
10°	X	29	38	47	56	64
	Y	147	197	246	295	344
15°	X	41	54	67	80	93
	Y	144	193	241	289	338
20°	X	52	69	86	103	120
	Y	140	187	234	281	330
25°	X	62	83	104	125	146
	Y	135	180	226	271	317
30°	X	71	96	121	146	171
	Y	130	172	216	259	302
35°	X	79	108	137	165	194
	Y	122	163	204	245	286
40°	X	86	119	151	183	215
	Y	114	152	191	229	267
45°	X	92	128	163	198	234
	Y	105	141	176	212	247
50°	X	97	135	173	211	250
	Y	96	128	160	192	224

## Bracket positions

If the brackets cannot be positioned in accordance with this table, make sure the actual measurements are noted on the order form!



awning width in cm.	arm length in cm.					no. of brackets
	150	200	250	300	350	
250	170	212	-	-	-	2
251 - 300	220	220	262	-	-	2
301 - 350	250	250	270	312	-	2
351 - 400	280	280	280	320	362	2
401 - 450	320	320	320	320	375	2 3 only at an arm length of 350 cm.
451 - 500	390	390	390	390	390	2 3 only from an arm length of 250 cm.
501 - 550	425	425	425	425	425	3
551 - 600	460	460	460	460	460	3 5 only at an arm length of 350 cm.
601 - 650	500	500	500	500	-	3
minimum width	186	236	286	336	386	2/3
minimum width	206	256	306	356	406	5

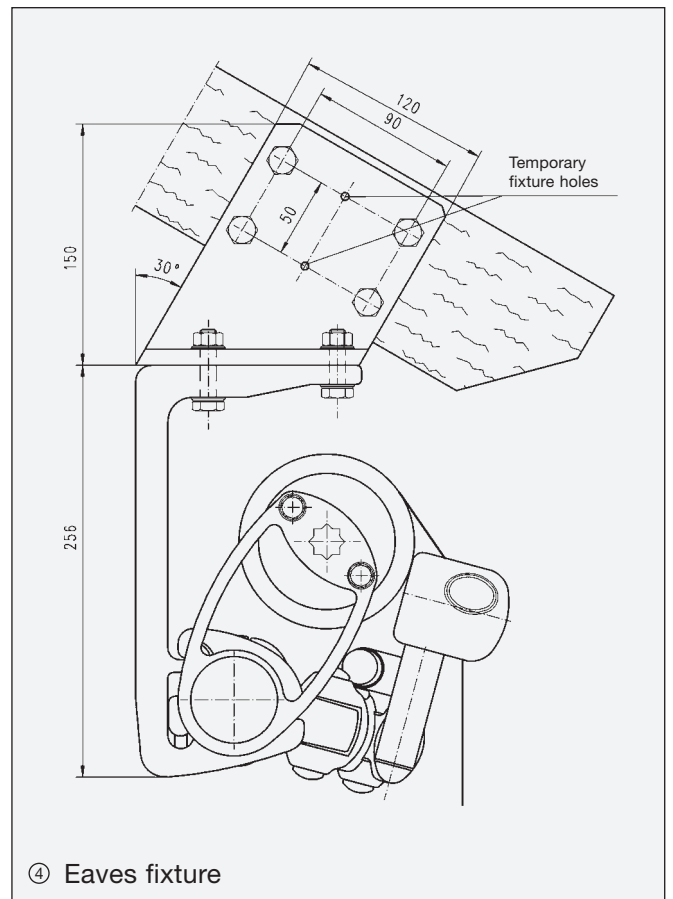
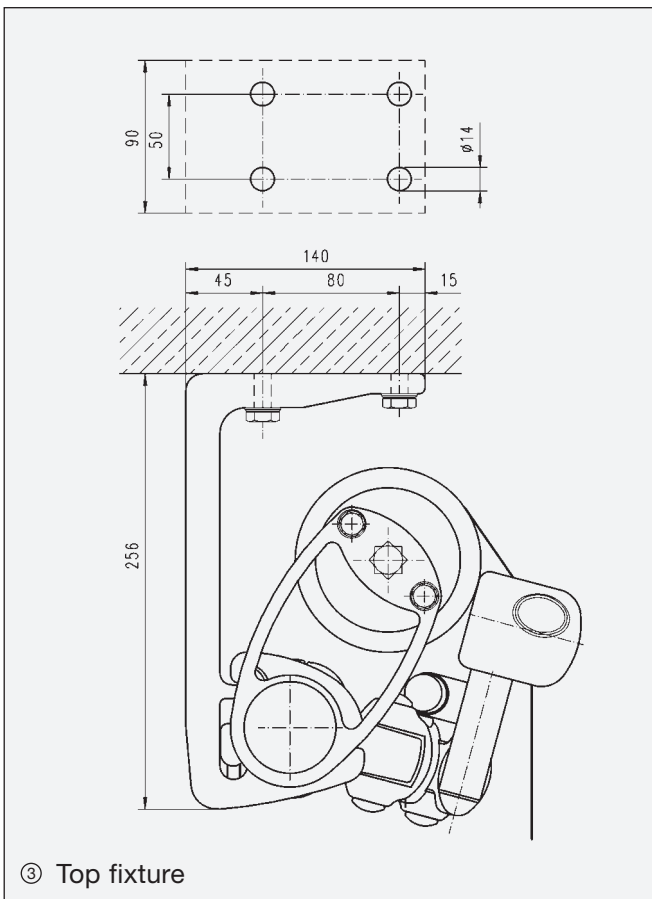
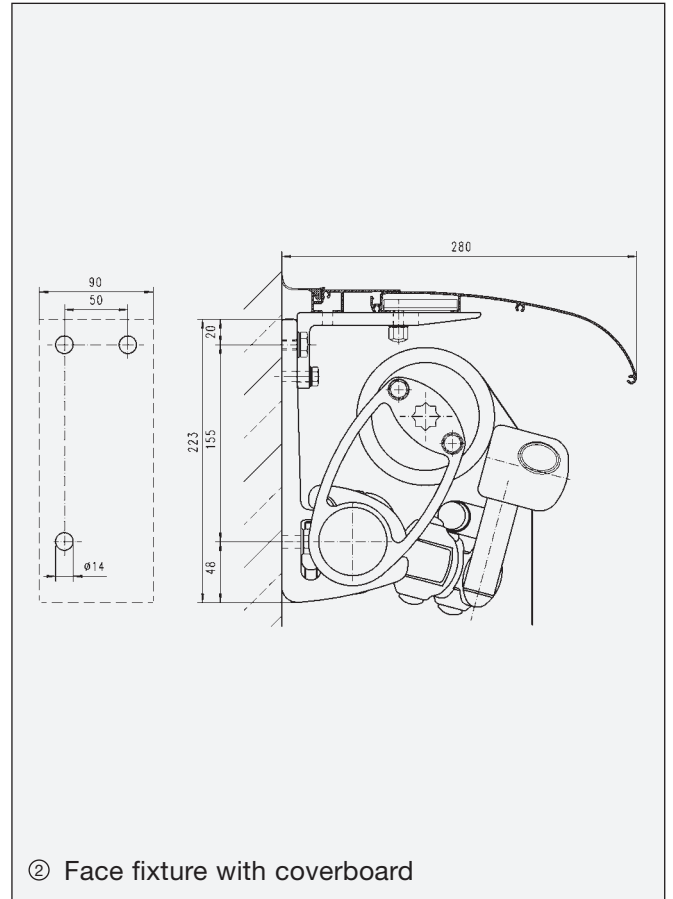
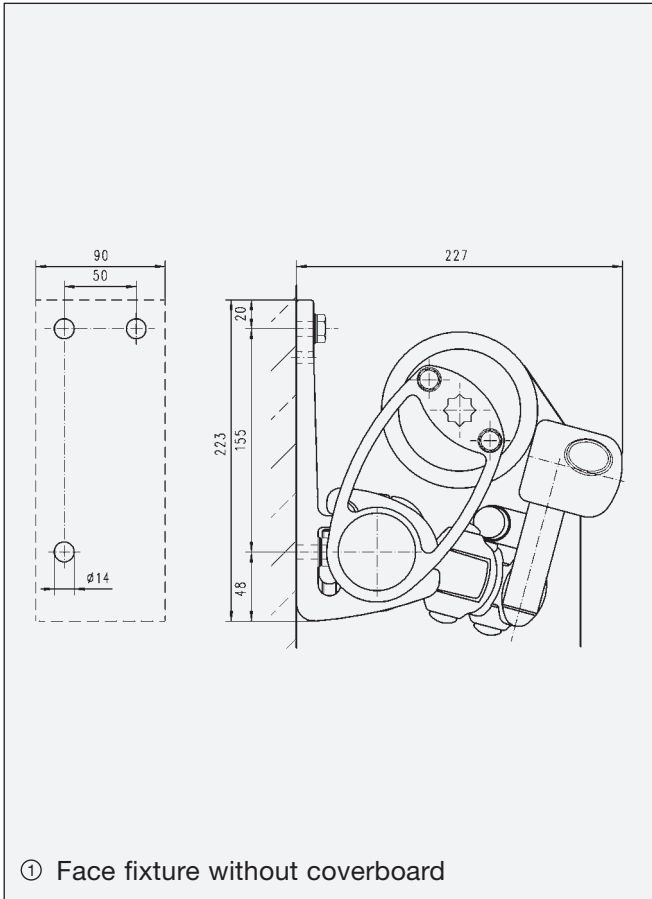
= range within which brackets should be fixed

= coupled units **cannot** be fitted with a jockey roller!

= coupled units can be fitted with a jockey roller where standard sizes are concerned. Please ask in the case of intermediate widths

\* it is particularly important that these measurements are adhered to in the case of these awning sizes!

# How to fit the markilux® 1100:



# How to fit the markilux® 1100:

