

**markilux<sup>®</sup>**



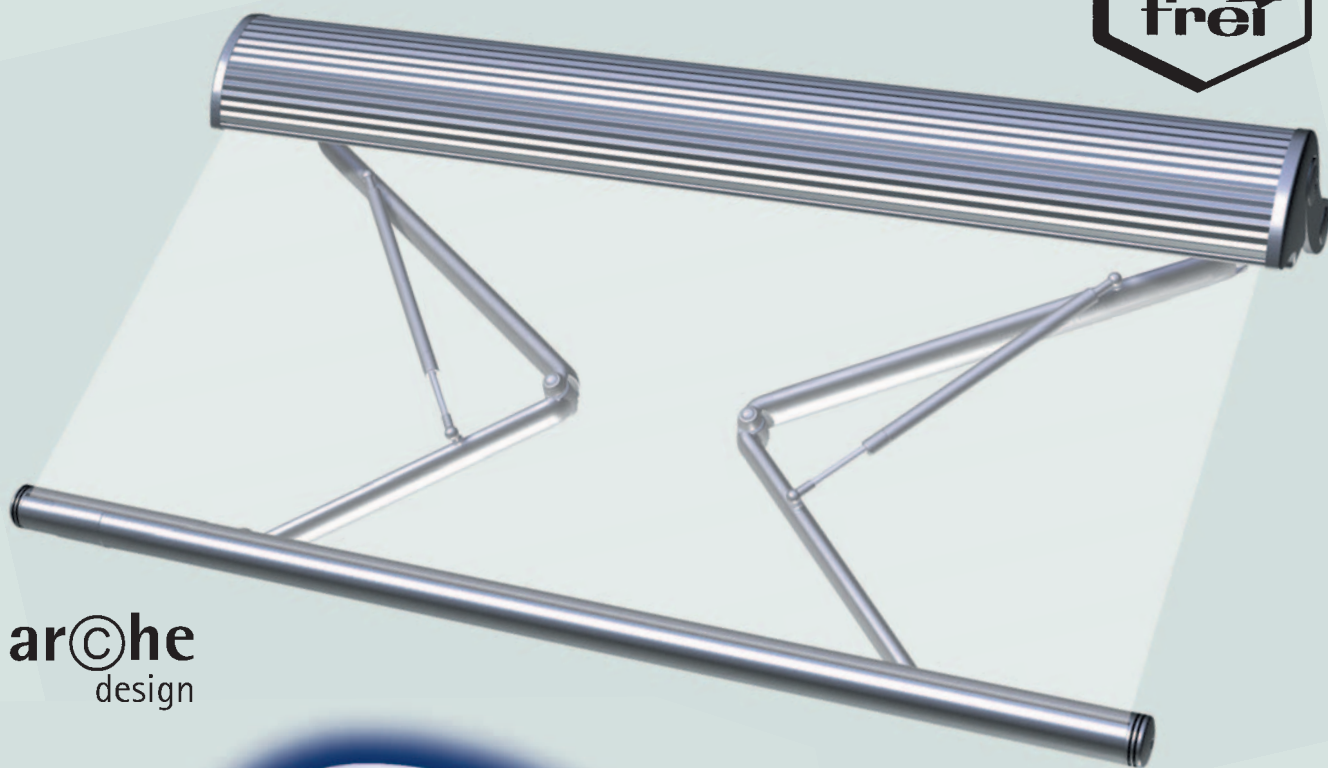
**markilux<sup>®</sup>** ES 1

**Stainless Steel**

# The markilux® ES 1 Austenitic Stainless Steel Folding-arm Awning

(cover cassette)

the top-of-the-range, German product



ar©he  
design

### **Optional Accessories:**

Electronic controls  
Top fixture



The retracted awning in profile  
face fixture



The retracted awning in profile  
top fixture

We reserve the right to make alterations  
without giving prior notice.

## markilux® ES 1

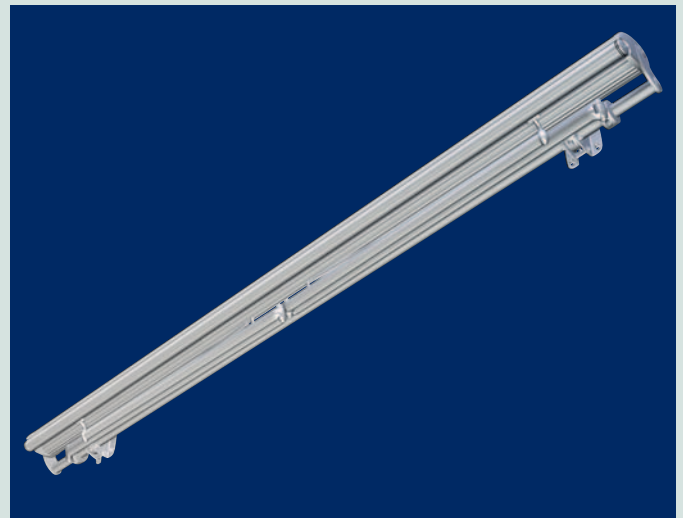
The fascination of perfectly crafted workmanship in brushed finish marine grade stainless steel (1.4571). The harmony of material, design and function.

Especially suited for use in aggressive sea air and industrially polluted surroundings.

- Designer arms using the perfected gas piston technique provide for a taut cover in every position of extension
- The front profile, torque bar (Ø=50 mm) and roller (Ø=95 mm) are very sturdy, designed to withstand twist and deflection
- No gaps or overhang between awning and coverboard as it is completely adapted to the pitch of the awning both when extended and retracted
- The arms run in Teflon-coated bronze bushes
- The roller and cover are completely enclosed by the surrounding cover cassette, giving the unit an even more "stainless steel look"

End cap colour combinations

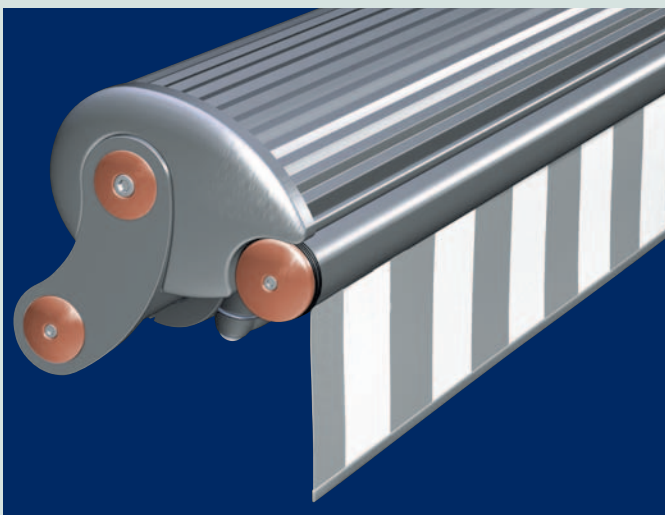
- 1 = copper
- 2 = brass



- Retracted, clean-cut, precise, imperious



- Stainless steel cover cassette in suitably refined design; end caps: standard i.e. stainless steel



- Retracted, with valance; end caps: copper

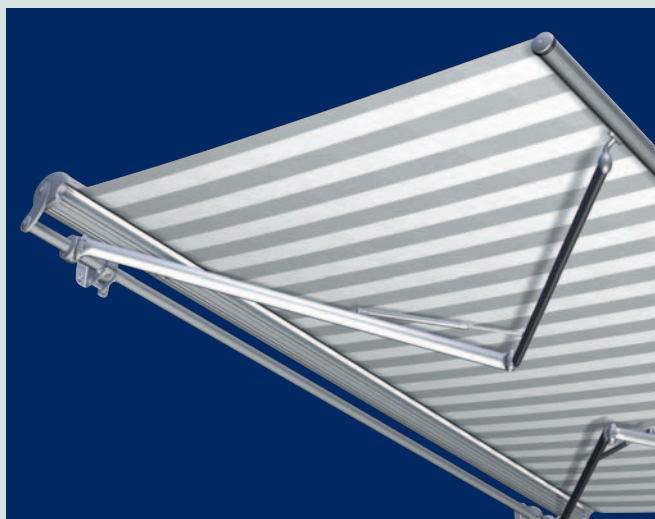


- Cover is protected by the completely enclosed cassette; end caps: brass

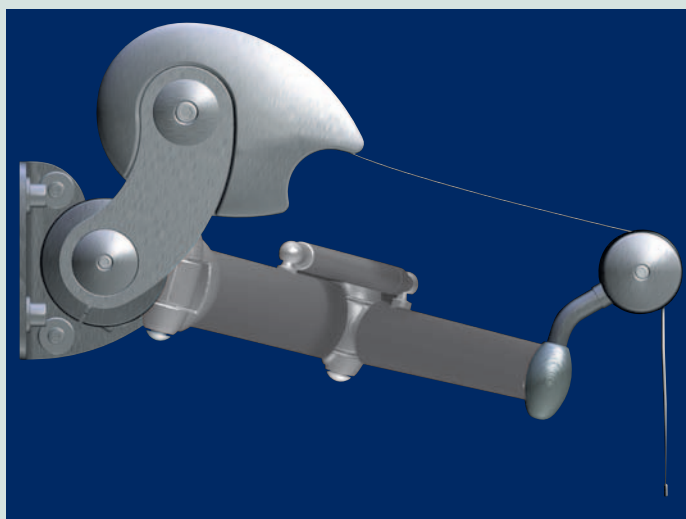
Included as standard with the delivery:

- radio-controlled electric operation for complete ease of use
- valance to give that typical awning look

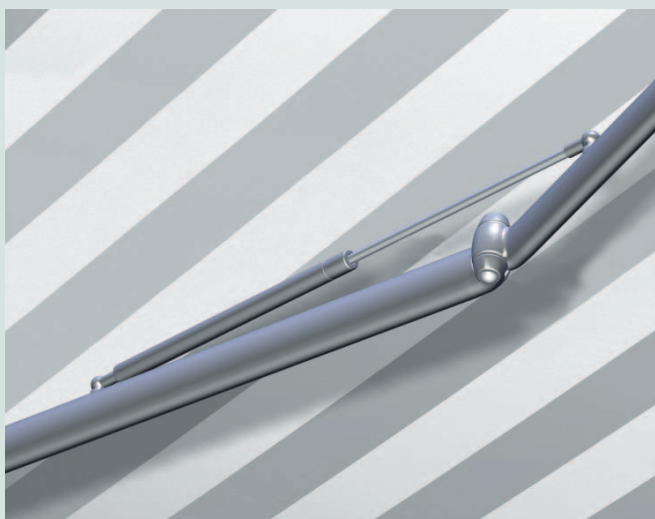
**new, imperious, long-lasting, the innovative awning you can pass on to the next generation!**



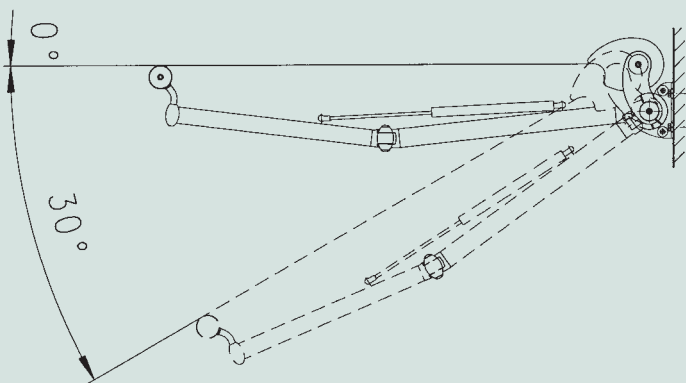
● Awning during retraction as seen from below (without valance)



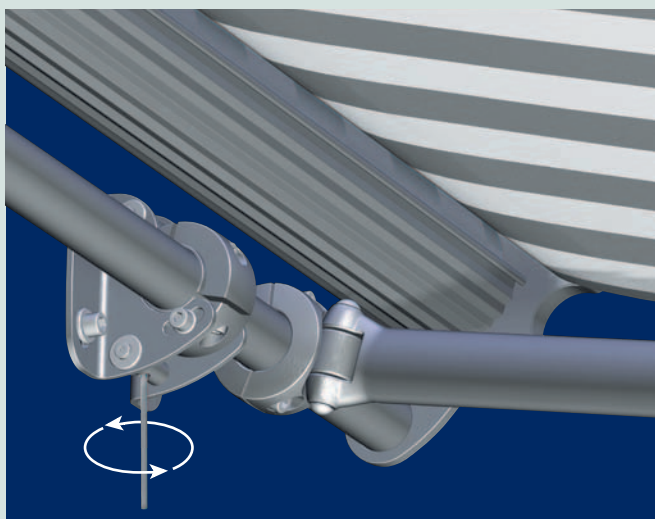
● Awning in profile during extension



● The gas pistons ensure good cover tension in every awning position



The pitch is adjustable between 0° - 30° (not via a pitch adjustment mechanism)



● Pitch adjustment is simple and does not require the front profile position to be reset

# The markilux® ES 1 Austenitic Stainless Steel Folding-arm Awning

(cover cassette)



										Approx. extension time in sec. <sup>4)</sup>			
Standard widths in cm.		250	300	350	400	450	500	550	600	650	Standard motor	Rad.-contr. motor	
<b>Dimensions</b>	Arm length 200 cm.										30	25	
	Arm length 250 cm.	-									36	30	
	Arm length 300 cm.	-	-								43	35	
	Arm length 350 cm. <sup>1)</sup>	-	-	-						-	49	41	
	No. of face fixture brackets			2					2/3	<sup>3)</sup>			
No. arms/rolltex bearings		2/0					2/1 <sup>1)</sup>			14 rpm <sup>5)</sup>	17 rpm <sup>5)</sup>		

<b>Available Accessories</b>	Radio-controlled Motor drive switch recommended	<input checked="" type="checkbox"/> pressure switch	<b>Motor drive</b>	Order no.
	Cover made of a brand name of acrylic material or sunsilk	<input checked="" type="checkbox"/>	Radio-controlled motor for 2 arms	763341
	Care set	<input checked="" type="checkbox"/>	<b>Possible dimensional variations:</b> (in mm)	
	PVC cover	<input checked="" type="checkbox"/> up to a width of 600 cm. and an arm length of 250 cm.		

Overall awning width	Standard widths	Intermediate widths
	Motor	Motor
Tolerances in the width	+0 / -20	+0 / -20
Tolerances in the extension	+40 / -40	+40 / -40

markilux® ES 1	Standard widths	Intermediate widths
	Motor	Motor
Cover width = (deduct from awning width)	100	100
Cover length = (add to awning extension)	200	200

(Tolerances in the width and drop of the cover)	From	To	Tolerances
	0	2000	+5 / -5
	2010	4000	+8 / -8
	4010	6000	+12 / -12
	6010	6500	+15 / -15

- 1) not possible with oversized material
- 2) In the case of face and top fixture 2 brackets and 1 coverboard support fitting, with eaves fixture 3 brackets
- 3) 2 brackets + 1 bracket with rolltex bearing
- 4) **N.B.** Motor stops automatically after 3 – 4 minutes use to prevent overheating.
- 5) **Nominal r.p.m.**  
It cannot be guaranteed that a bank of awnings will all run at the same speed. This is due to the tolerances in the r.p.m. of the motors.

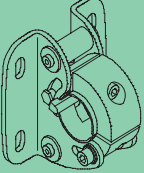

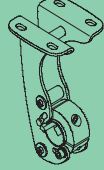
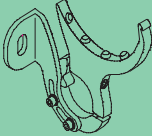
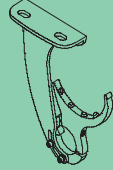
**Not available:** manual operation, shadeplus, side blind, pitch adjustment gear, coupled units, powder-coated units

**N.B.** Measure up carefully! We will not take awnings back because of incorrect size. Awnings are made to measure. The arm length is measured with the awning at a pitch of 15° from the wall over the cover to the leading edge of the front profile. Make a special note if an awning is to be fitted into a recess/reveal, and note the recess/reveal width separately. **The operation side should be given as if seen from the outside.** Please consult the special notes contained in the general information/markilux fabric collections. We reserve the right to make alterations without giving prior notice.

# The markilux® ES 1 Austenitic Stainless Steel Folding-arm Awning



## Fixtures and Accessories

Part	Description	Part No.	Part	Description	Part No.
	Face fixture assembly	744341		Eaves fixture assembly	745851
	Top fixture assembly	745791		Coverboard support assembly with face fixture bracket	746331
				Coverboard support assembly with top fixture bracket	746341

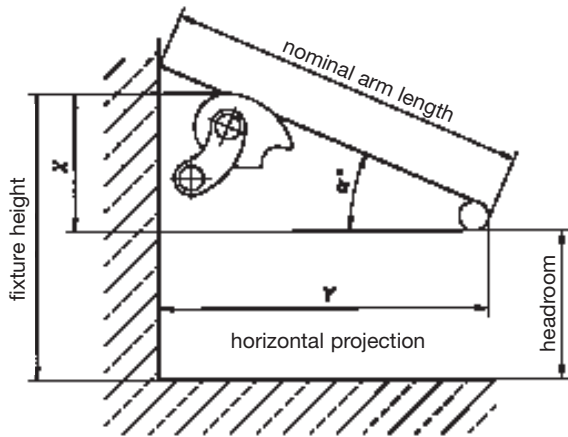
We reserve the right to make alterations without giving prior notice.

# Important Measurements for Fitting the Stainless Steel Folding-arm Awning markilux® ES 1

Measurements may vary slightly.

## Angle of pitch / walk-under height

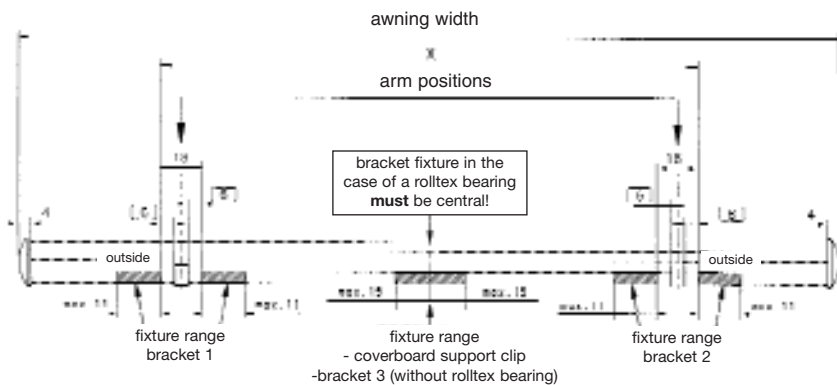
vertical height = fixture height - X



pitch α	arm length in cm				
	200	250	300	350	
4°	T	17	13	13	13
	T	100	240	260	341
6°	T	27	21	17	11
	T	103	240	260	341
8°	T	44	30	22	14
	T	105	240	260	343
10°	T	69	39	28	17
	T	107	240	260	343
12°	T	103	48	35	21
	T	109	240	260	343
14°	T	108	57	42	25
	T	110	240	260	343
16°	T	111	65	49	29
	T	112	240	260	343
18°	T	113	73	56	33
	T	114	240	260	343
20°	T	114	81	63	37
	T	115	240	260	343

## Bracket positions

If the brackets cannot be positioned in accordance with this table, make sure the actual bracket positions are noted on the order form!

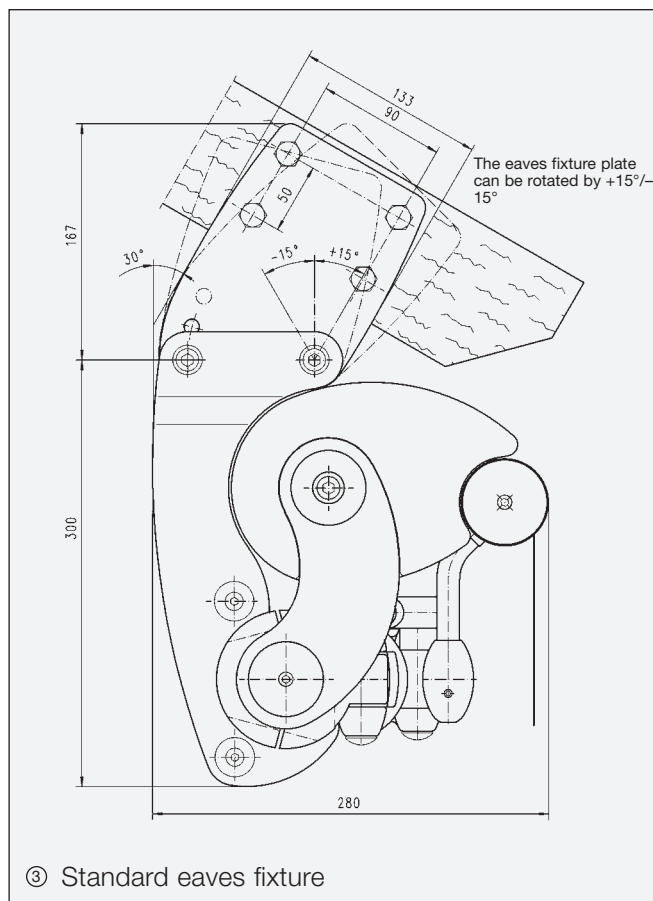
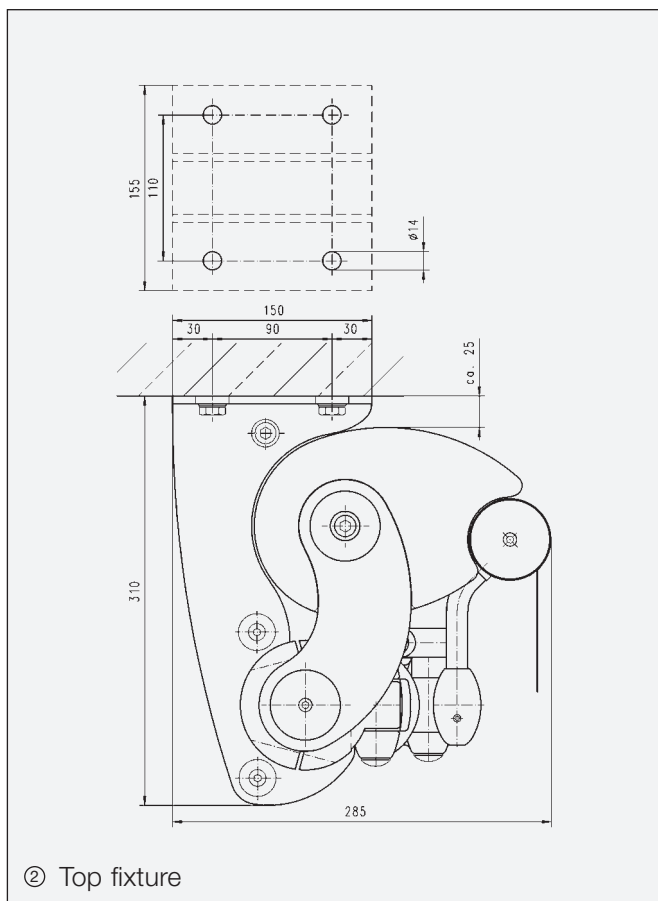
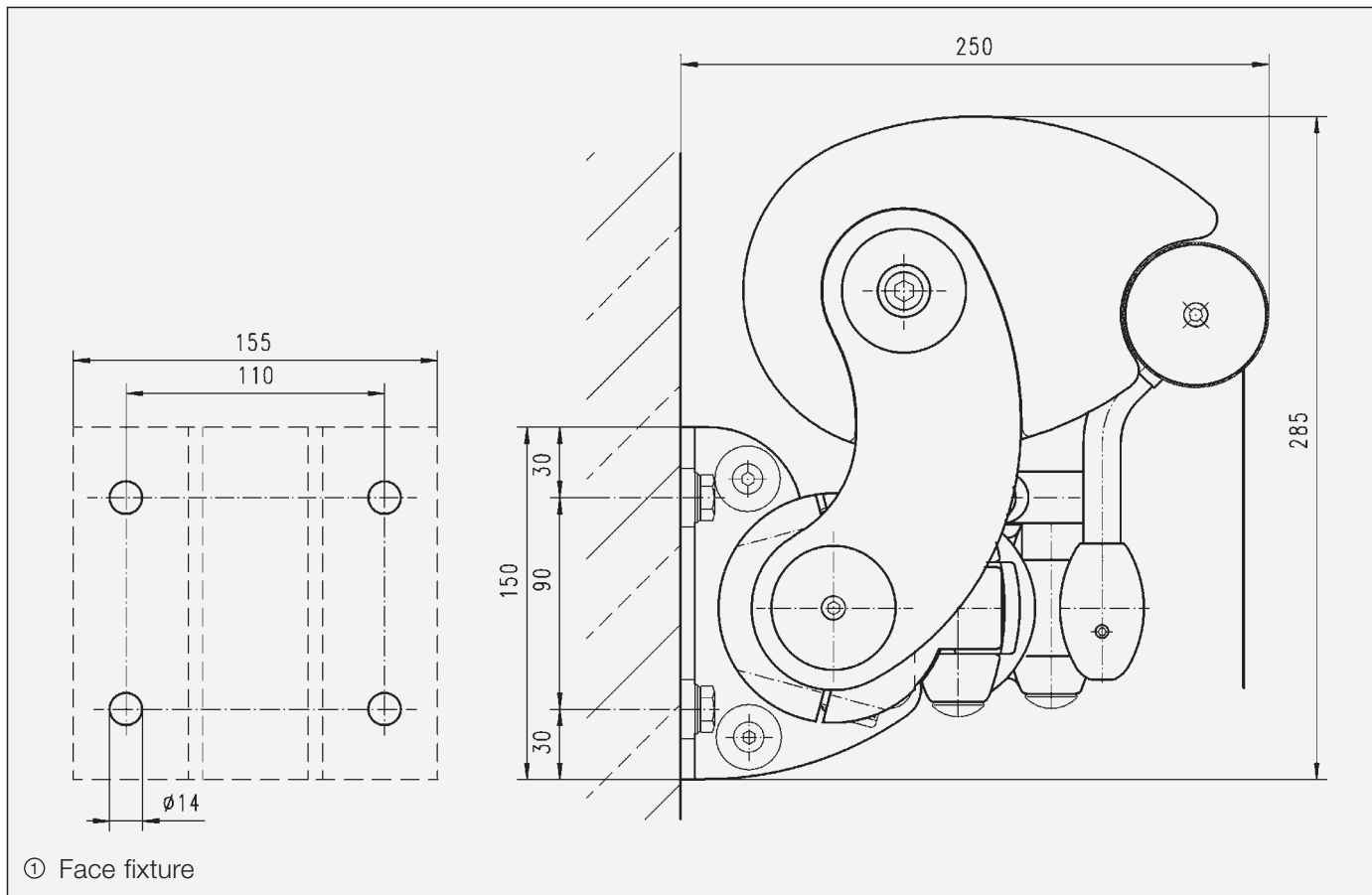


**N.B.** Please observe a min. distance of 6 cm between the arm bearer and the bracket because otherwise the pitch cannot be adjusted.

awning width	arm length in cm		Measurement X cm				brackets
	200	250	300	350	400		
750	718	—	—	—	—	2 brackets	
200 - 300	214	286	—	—	—	2 brackets	
300 - 350	274	294	306	—	—		
300 - 400	304	304	344	396	—		
400 - 450	344	344	344	390	—	In the case of face and top fixture 2 brackets + 1 coverboard support clip	
450 - 500	384	384	384	384	—		
500 - 550	419	419	419	419	—	In the case of eaves fixture 3 brackets	
550 - 600	454	454	454	454	—		
600 - 650	484	484	484	—	—	2 brackets + 1 bracket with rolltex bearing (must be fitted in the centre)	
minimum width	240	290	340	390	—		

X = min. distance between the two brackets if fitted outside the arm bearers

# How to fit the Stainless Steel Folding-arm Awning markilux® ES 1:





# How to fit the Stainless Steel Folding-arm Awning markilux® ES 1:

