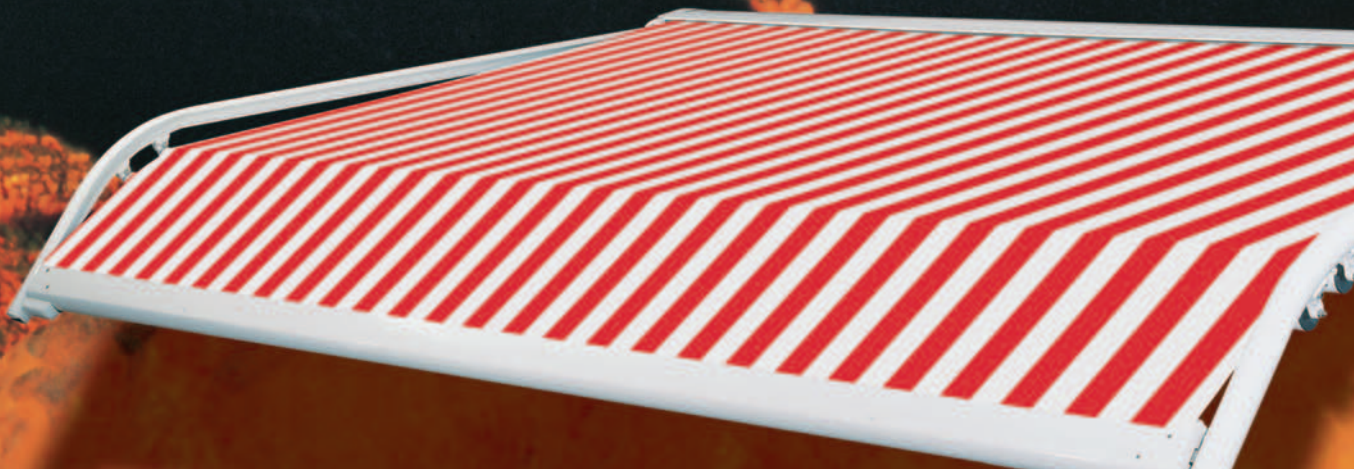
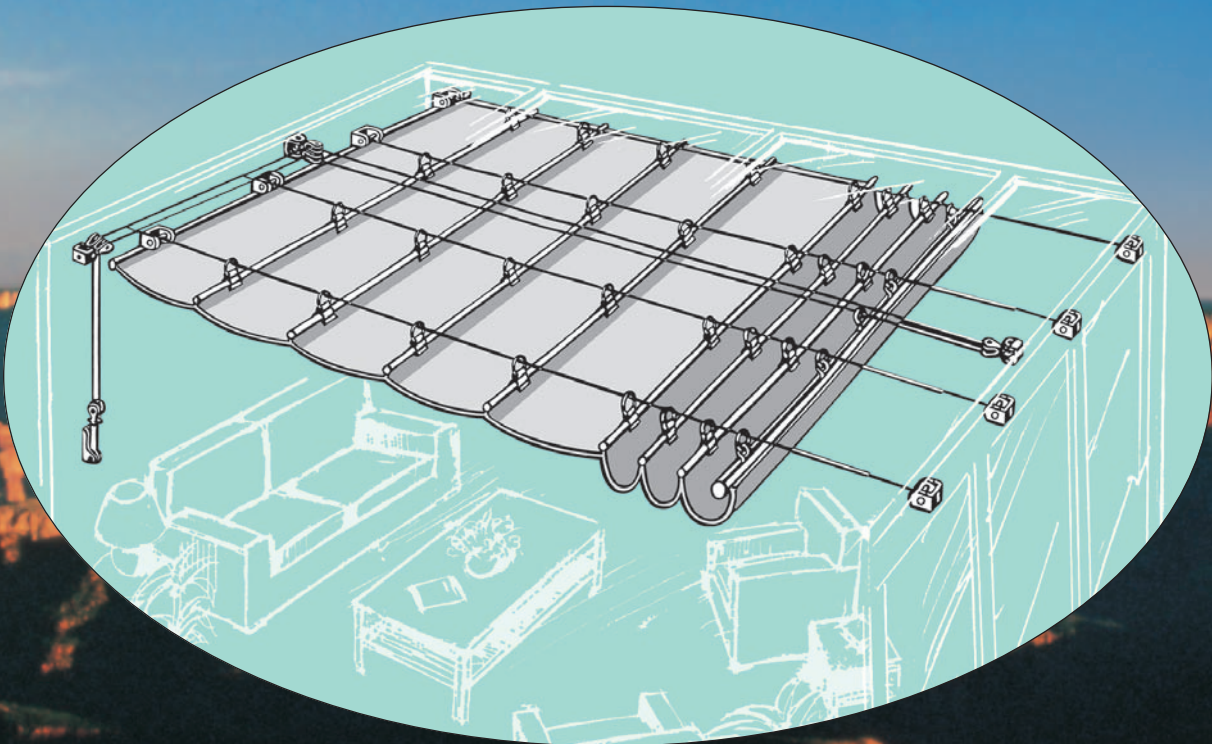


**markilux®**



**markilux® Roof Festoon**

**Practical and Easily Fitted**

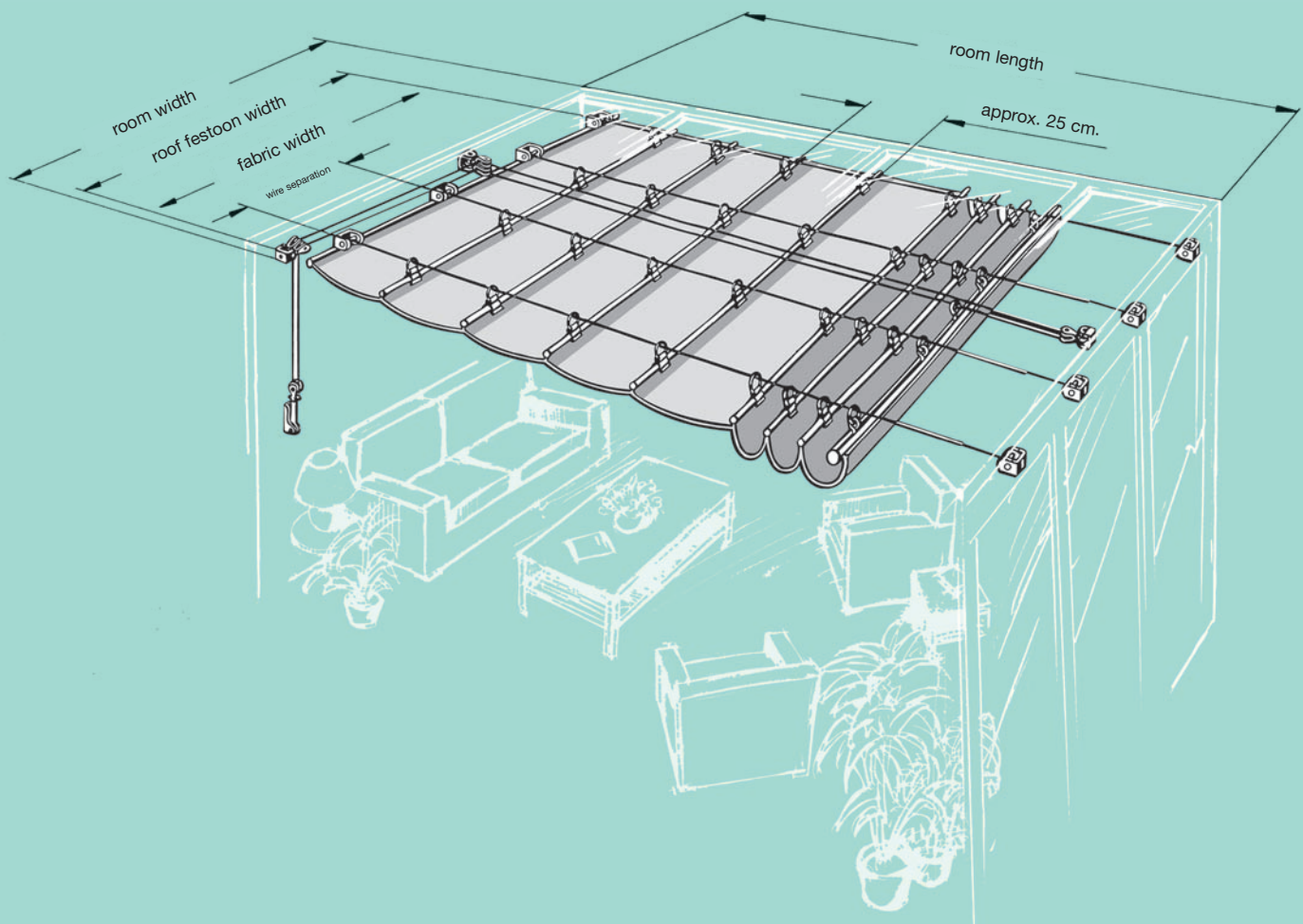
the sunshading solution for interior use

# The markilux® Roof Festoon

## Its salient points:

- the simple way to shade large areas indoors
- even large roof festoons are easy to operate
- creates atmosphere
- the fabric breathes
- the fabric is flame retardant
- the fabric stays clean longer under glass and can be removed for cleaning
- insulates against the encroaching cold in the winter months

The roof festoon material is made of Trevira CS; permanently flame retardant in compliance with DIN 4102 B 1/M 1 Non Feu (B+F)/Classe 1 (I)/BS 5867 (GB)



	Can be driven by motor or by a cord pulley system							Can only be driven by motor	
Roof Festoon width in cm.	100*	150	200	250	300	350	400	450	500
Number of wires	2	3	3	4	4	5	5	6	6

\* can be operated using a hooked staff instead of a cord pulley

The cord pulley system has one transportation cord, the motorised version is fitted with two. More support wires can be supplied at additional cost.

Depth of retracted material: up to a projection of 234 cm. approximately 18 cm.  
 up to a projection of 422 cm. approximately 26 cm.  
 up to a projection of 610 cm. approximately 36 cm.

The roof festoon will work perfectly well up to an angle of 20°. It is not possible to use an automatic sun sensor with the roof festoon.

Intermediate widths and projections can be supplied.



Dimensions	Standard widths in cm.	Motor (surcharge)										Approx. extension time in sec <sup>2)</sup>
		Cord pulley system										
		100 <sup>1)</sup>	150	200	250	300	350	400	450	500	Standard motor	
	No. of cables	2	3	3	4	4	5	5	6	6		
	Projection 94 cm.											25
	Projection 140 cm.											33
	Projection 188 cm.											41
	Projection 234 cm.											50
	Projection 282 cm.											59
	Projection 328 cm.											68
	Projection 376 cm.											75
	Projection 422 cm.											82
	Projection 470 cm.											90
	Projection 516 cm.										-	98
	Projection 564 cm.										-	105
	Projection 610 cm.										-	112
												12 rpm <sup>3)</sup>

1) up to this width the roof festoon can be ordered with a hooked staff instead. This is only possible when the roof festoon is to be fitted completely level.

2) **N.B.** Motor stops automatically after 3 – 4 minutes use to prevent overheating.

3) **Nominal RPM**  
(In the case of contract awnings the same speed of rotation of the motors cannot be guaranteed)

The cord pulley system has one transportation cord, the motorised version is fitted with two.  
More wires can be supplied at additional cost.

Depth of retracted material:  
up to a projection of 234 cm. approximately 18 cm.  
up to a projection of 422 cm. approximately 26 cm.  
up to a projection of 610 cm. approximately 36 cm.

The roof festoon will work perfectly well up to an angle of 20°. Intermediate widths and projections can be ordered.

Available Accessories	Manual operation	<input checked="" type="checkbox"/> cord pulley system	Motor drive		Order No.		
	Manual operation	<input checked="" type="checkbox"/> hooked staff max. width 100 cm	Standard motor up to an extension of 600 cm	750901			
	Motor drive	<input checked="" type="checkbox"/> min. width 151 cm	Standard motor from an extension of 601 cm	751511			
	Fixtures and front rail powder-coated as standard in colour *	<input checked="" type="checkbox"/>	Awning cover sizes: (in mm.)				
	drapilux <sup>®</sup> fabric Trevira CS	<input checked="" type="checkbox"/>		Standard widths	Intermediate widths		
			Motor	Gear	Motor	Gear	
			Cover width = (deduct from awning width)	0	0	0	0
			Cover length = (add to awning extension)	0	0	0	0

Not available: Perfotex  
PVC fabrics (ERA, Mehler etc.),  
screen fabrics,  
Soltis 92,  
sun and wind sensors

\* White: RAL 9016, brown: RAL 8019, metallic aluminium: RAL 9006.  
Other RAL colours are available. Lead times will be given on request.  
\*\*Roof festoons do not lend themselves to being operated automatically

**N.B.** Measure up carefully! We will not take awnings back because of incorrect size. Awnings are made to measure.  
Make a special note if an awning is to be fitted into a recess/reveal, and note the recess/reveal width separately.  
The operation side should be given as if seen from the outside.  
Please consult the special notes contained in the general information/markilux<sup>®</sup> fabric collections.  
We reserve the right to make alterations without giving prior notice.

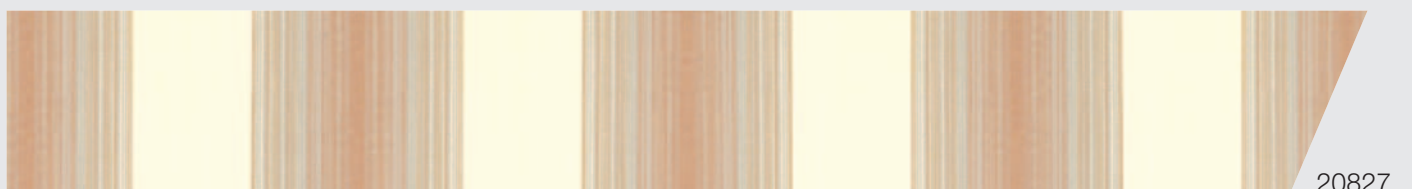
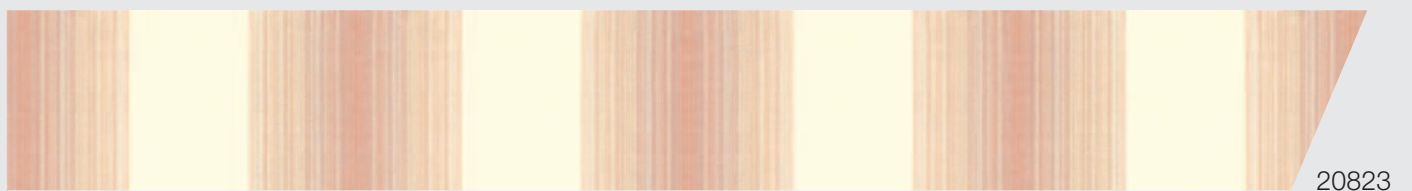
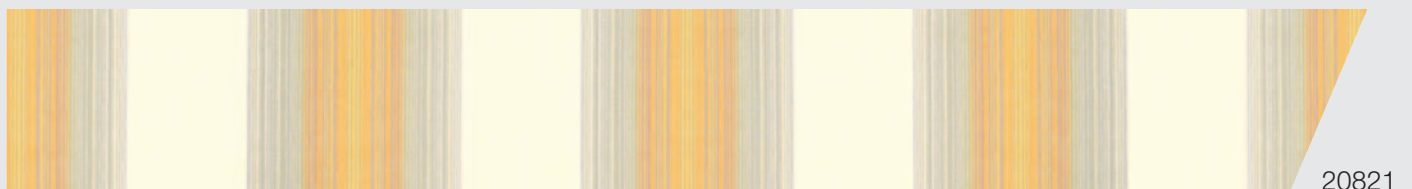
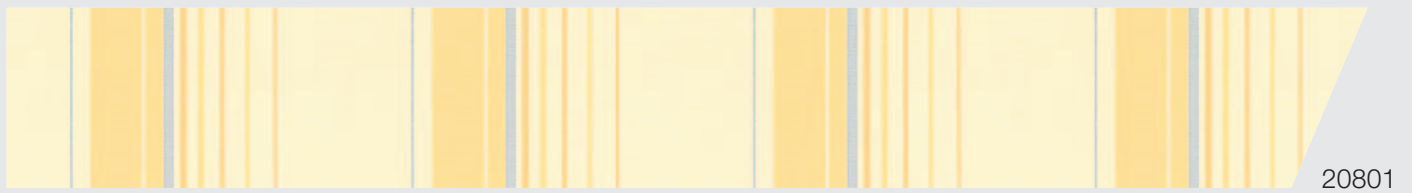
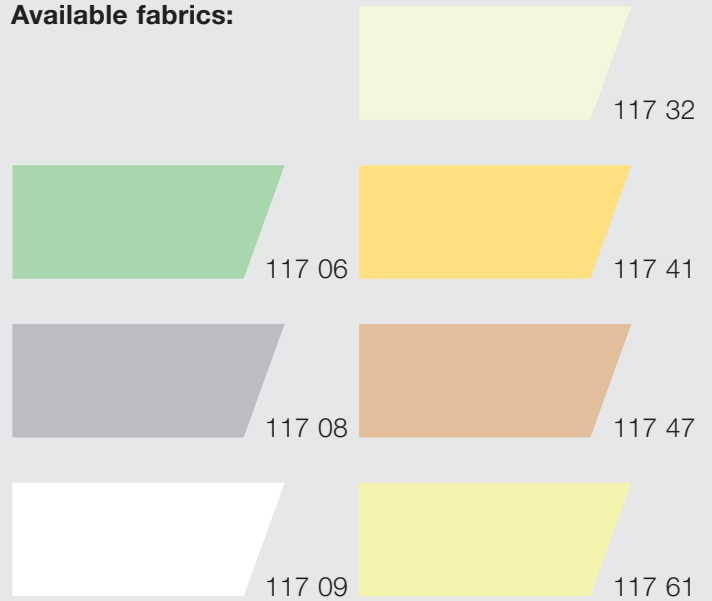


Raw material: 100% polyester (Trevira CS)  
 Weight per sqm: plains approx. 185 gr.  
 stripes approx. 260 gr.  
 UV stability: 5 - 7  
 Finish: antistatic  
 Shrinkage: approx. 1%  
 Washing temperature: up to 40° C  
 Other properties: non-creasing  
 quick-drying  
 does not fluff

permanently flame retardant  
 in compliance with DIN 4102 B 1  
 M 1 Non feu (B + F)  
 Classe 1 (I)  
 BS 5867 (GB)

The depicted materials are shown in widths  
 of 120 cm.

**Available fabrics:**

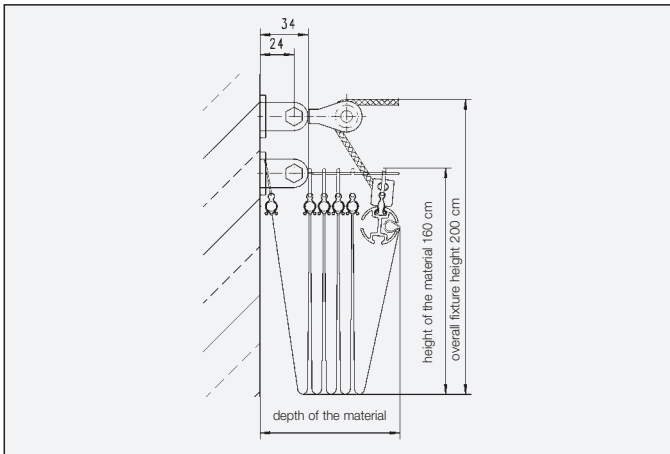


## How to measure up for your markilux® roof festoon

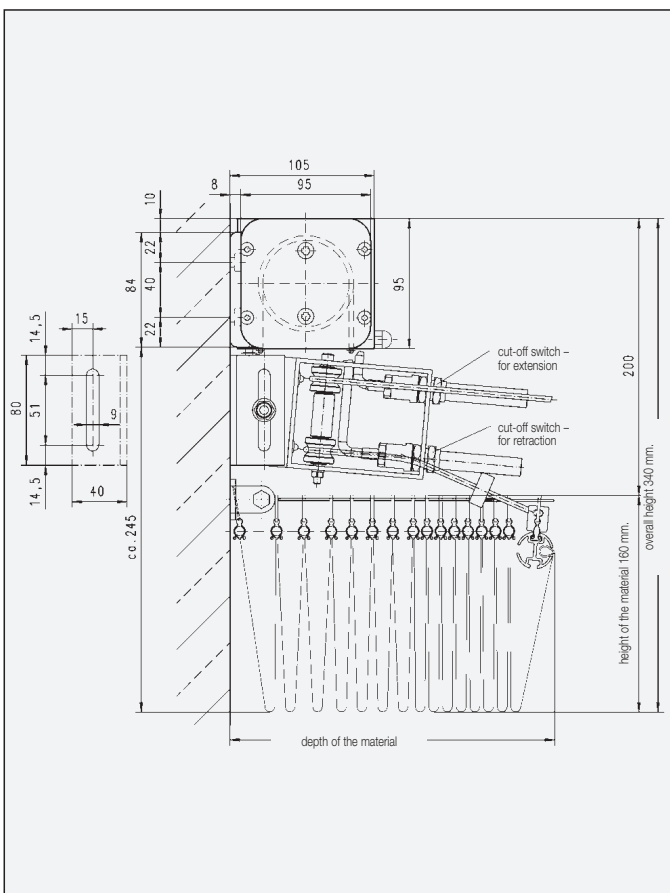
Start by determining the length and breadth of the room. Obstacles such as light fittings, beams, protruding pieces of wall, air ducts etc. should be taken into account. markilux® roof festoons can only be rectangular in shape. To arrive at the required fabric width you should subtract 3 cm. on each side; i.e. room width less 6 cm. at the narrowest point. The outermost wire on each side is positioned approximately 3 cm. in from the edge of the material.

As long as you do not exceed the maximum of 100 cm. you yourself can decide what gap to leave between each pair of wires. The wires must be parallel to one another and to the edge of the roof festoon. We recommend you fix the roof festoon below beams, framework etc. The number of wires required for each particular width is laid out in the table on p. RF-1.

The cover is constructed of lengths of material which run contrary to the projection of the roof festoon.



Cord pulley system



Motorised version

When ordering please supply the following measurements and information:

- roof festoon width (room width less 3 cm)
- projection (room length)
- fabric No. \_\_\_\_\_  
(v. catalogue p. RF-3)
- in which of the following standard colours the components should be supplied: white RAL 9016, brown RAL 8019 or metallic aluminium RAL 9006
- whether extra wires should be supplied
- how it is to be operated

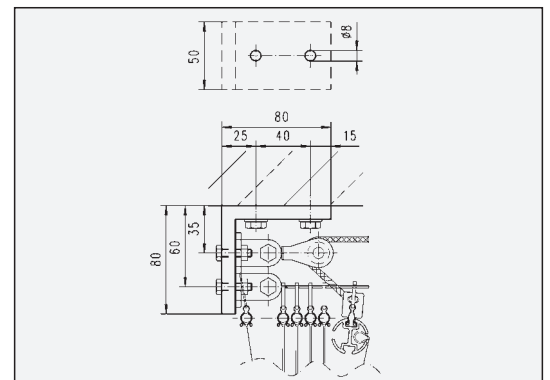
When extended the seams are approximately every 25 cm. This means that the depth of the material when the roof festoon is retracted is approximately 16 cm.

If a number of roof festoons is to be suspended next to one another please notify us of this.

Sunshades made of textiles are subject to stretch. If two roof festoons are suspended next to one another the seams may vary slightly.

Patterns cannot be matched if striped designs are used, so please recommend only plain materials.

**Tolerances of around 1 % must be expected where textiles are concerned.**



Top fixture