

**markilux®**



**markilux® 1500**  
**Unique In Design - markilux® Technology**

# The Folding-arm Awning

## markilux® 1500 (semi-cassette with gas pistons)

Created by distinguished designers in co-operation with markilux®. Endowed with the proven technology and sturdiness for which markilux® is renowned, and at unheard-of value for money.



The markilux® 1500 with coverboard pre-fitted in the factory

\* Metallic aluminium RAL 9006

### **Optional Accessories:**

- Electric motor and controls
- Shadeplus
- Motorised shadeplus
- Top fixture
- Valance
- Wall sealing profile



The markilux® 1500, face fixture, retracted



The markilux® 1500, retracted, with wall sealing profile

**Accorded the iF\* product design award for excellent industrial design**

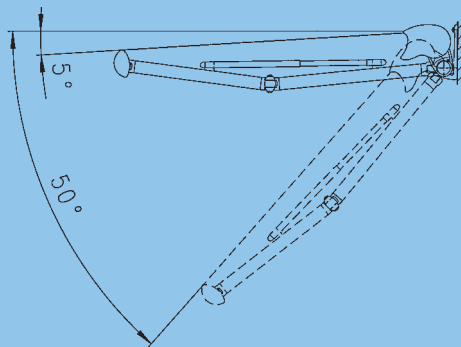
\* Industrial Design Forum, Hanover

We reserve the right to make alterations without giving prior notice



## The markilux® solution with attractive curves - in both design and technology markilux® leads the field

- super strong round steel torque bar, 50 mm in diameter, prevents twist and bow
- the appealing oval arms with their improved gas-primed pistons keep the cover particularly taut - even if the unit is only partially extended
- sturdy yet elegant front profile made of aluminium with a slot which accepts a valance (the valance is an optional accessory at additional cost) – even in the case of a shade-plus
- the strong, proven roller with a diameter of 85 mm. ensures the cover rolls up evenly
- a patent has been applied for the pitch setting mechanism which is infinitely adjustable up to a pitch of 50°
- the dynamic, smoothly finished coverboard gives the unit the appearance of a cassette awning
- no gaps or incongruities between the awning and the coverboard as the latter is automatically adjusted to the pitch of the awning
- the coverboard is fitted with a brush so that leaves and twigs cannot be drawn into the awning
- larger awnings are fitted with a rolltex bearing which gives the roller added support
- manual shadeplus available – the awning within an awning (surcharge)
- shadeplus with electric operation available - **markilux 1500** (also radio-controlled)
- 100 cm. drop with acrylic fabrics, sunsilk, transolair (seamless) - stripes will run across the shade plus)
- or 120 cm. drop with Soltis 92



The pitch is adjustable between 5° - 50° (not by pitch adjustment gear)



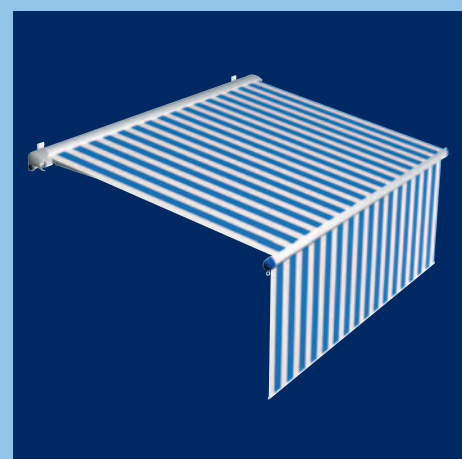
- Simple pitch adjustment that does not require the front profile to be reset



- Awning in the process of being extended by means of the gas-primed pistons



- The shadeplus in the process of being extended



- Shadeplus extended

## Frame technology and cover - shaped in colour

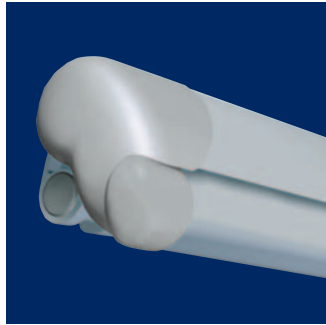
- the colour combinations available for the awning frame - from subdued to adventurous
- exclusive cover patterns, especially to match these colour combinations

### Additional colour combinations

combin. code		torque bar and front profile endcaps
5	coverboard endcaps in the frame colour	yellow
7		blue
11		red
12		black



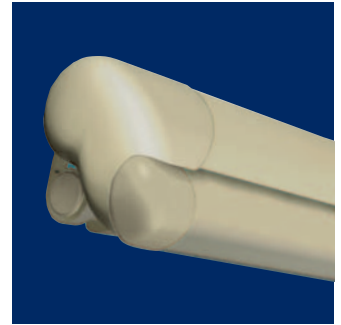
white RAL 9016



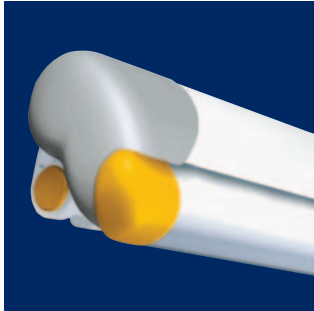
metallic aluminium RAL 9006



brown RAL 8019



light ivory RAL 1015



awning colour white RAL 9016  
side cheek colour combination 1



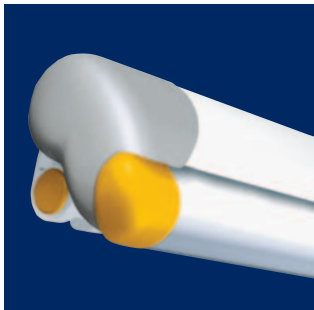
cover pattern 34 538



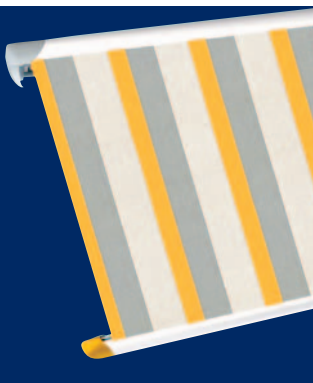
cover pattern 34 535



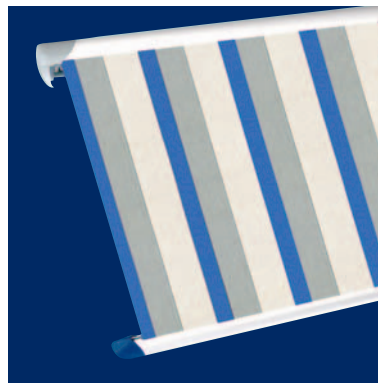
awning colour metallic aluminium RAL 9006  
side cheek colour combination 3



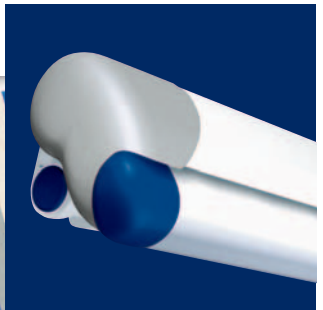
awning colour white RAL 9016  
side cheek colour combination 1



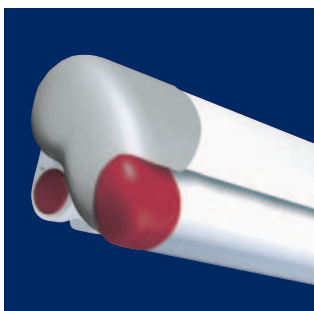
cover pattern 34 501



cover pattern 34 502



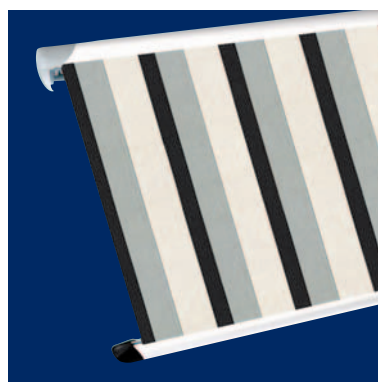
awning colour white RAL 9016  
side cheek colour combination 3



awning colour white RAL 9016  
side cheek colour combination 9



cover pattern 34 503



cover pattern 34 504



awning colour white RAL 9016  
side cheek colour combination 10



# The markilux® 1500 Semi-cassette Folding-arm Awning



Gas piston-tensioned folding arms											Approx. handle revs.	Approx. extension time in sec. <sup>3)</sup>	
Dimensions	Standard widths in cm.	260	310	360	410	460	510	560	610	660	Gearbox 5:1	Standard motor	Rad.-contr. motor
	Arm length 150 cm.										22	19	19
	Arm length 200 cm.										30	25	25
	Arm length 250 cm.	-									37	30	30
	Arm length 300 cm.	-	-								45	35	35
	Arm length 350 cm. <sup>1) 2)</sup>	-	-	-							52	41	41
	No. of face fixture brackets	2			3			5					
	No. arms/rolltex bearings	2			2 / 1 <sup>1)</sup>						17 rpm <sup>4)</sup>	17 rpm <sup>4)</sup>	

- 1) not possible with oversized material.
- 2) the shadeplus is **only** available at **350 cm** arm length up to a width of **560 cm**.
- 3) **N.B.** Motor stops automatically after 3 – 4 minutes use to prevent overheating.
- 4) **Nominal r.p.m.**  
It cannot be guaranteed that a bank of awnings will all run at the same speed. This is due to the tolerances in the r.p.m. of the motors.

Available Accessories	Manual operation winding handle: 110, 140, 160, 180, 220 cm	<input checked="" type="checkbox"/>
	Servo-assisted manual operation as standard	<input checked="" type="checkbox"/>
	Motor drive switch recommended	fixed position switch <input checked="" type="checkbox"/>
	Manually operated shadeplus	(shadeplus cover split from a width of 501 cm) <input checked="" type="checkbox"/>
	Electrically operated shadeplus	<input checked="" type="checkbox"/>
	Max. shadeplus drops (measurements in mm)	
	Manual operation	Electric operation
	Stitched acrylic = 1400	Stitched acrylic = 500
	Stitched sunsilk = 1400	Stitched sunsilk = 500
	Soltis 92 seamless = 1700	Soltis 92 seamless = 1200
Seamless acrylic = 2100	Seamless acrylic = 1000	
swela transolair = 2100	swela transolair = 1000	
Wall sealing profile	<input checked="" type="checkbox"/>	
Side blind	<input checked="" type="checkbox"/>	
Frame polyester powder coated as standard in colour*	<input checked="" type="checkbox"/>	
Cover made of a brand name of acrylic material or sunsilk	<input checked="" type="checkbox"/>	
PVC cover	<input checked="" type="checkbox"/> up to a width of 610 cm. and an arm length of 250 cm.	
Not available: pitch adjustment gear		
* White: RAL 9016, brown: RAL 8019, metallic aluminium: RAL 9006 and light ivory: RAL 1015. Other RAL colours are available. Lead times will be given on request.		

Manual operation (gearboxes employed)						
Universal joint	Eye	Gear reduction	End-stop with	End-stop without	Worm gear	Bevel gear
	<input checked="" type="checkbox"/>	5 : 1	<input checked="" type="checkbox"/>		<input checked="" type="checkbox"/>	
						Order number
						72161. „L“ 72162. „R“
						1 = black; 3 = white

Motor drive with electronic torque reduction and limit switching when being retracted		Order number
Standard motor up to 2 folding arms		763131 „L“ 763141 „R“
Standard motor up to 4 folding arms		784811 „L“ 784821 „R“
Radio-controlled motor up to 2 folding arms		763341
Radio-controlled motor up to 4 folding arms		763351

Possible dimensional variations: (in mm.)				
Overall width of the awning	Standard widths		Intermediate widths	
	Motor	Gear	Motor	Gear
Tolerances in the width	+5 / -10	+5 / -5	+5 / -15	+5 / -15
Tolerances in the extension	+ 40 / - 40		+ 40 / - 40	

Awning cover sizes: (in mm.)				
	Standard widths		Intermediate widths	
	Motor	Gear	Motor	Gear
Cover width = (deduct from awning width)	260		260	
Cover length = (add to awning extension)	180		180	


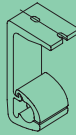

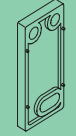
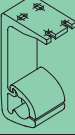
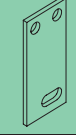
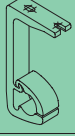
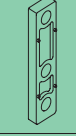
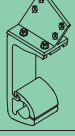
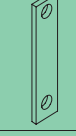
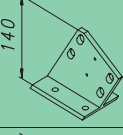
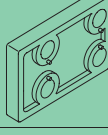
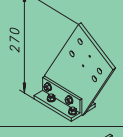
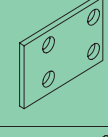
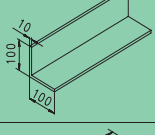
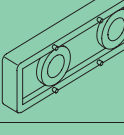
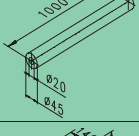
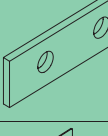
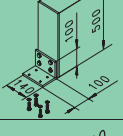

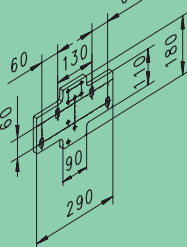

Awning cover tolerances: (in mm.)			
(tolerances in the width and length of the cover)			
From	To	Tolerances	
0	2000	+ 5 / - 5	
2010	4000	+ 8 / - 8	
4010	6000	+ 12 / - 12	
6010	6600	+ 15 / - 15	

**N.B.** Measure carefully! We will not take awnings back because of incorrect size. Awnings are made to measure. The arm length is measured with the awning at a pitch of 15° from the wall over the cover to the leading edge of the front profile. Shadeplus drop measured from the bottom edge of the shadeplus profile to the bottom edge of the valance profile. Coupled awnings can be supplied up to 1310 cm (only motorised). They can be fitted with jockey rollers except when the arm length is the maximum for the width of each awning. There is a chance of the pattern not matching where jockey rollers are concerned. If coupled awnings are fitted into a recess or a reveal, the overall width of the coupled awning must be 6 cm. less than the width of the opening to allow the awnings to be coupled. Make a special note if an awning is to be fitted into a recess, and note the recess width separately. **The operation side should be given as if seen from the outside.** Please consult the special notes contained in the general information/markilux fabric collections and on pp. 15/16. We reserve the right to make alterations without giving prior notice.

# The markilux® 1500 Folding-arm Cassette Awning



## Fixtures and Accessories

Part	Description	Part No.	Part	Description	Part No.
	Face fixture bracket assembly 80 mm	77151.		Top fixture bracket assembly for central fixture	79341.
	Face fixture bracket assembly 45 mm	77165.		Spacer plate wall 90 x 200 x 18 mm <b>N.B.!</b> * 200 mm	730701
	Top fixture bracket assembly 90 mm	77152.		Spacer plate wall 90 x 200 x 8 mm	730531
	Top fixture bracket assembly 45 mm	77166.		Spacer plate wall 45 x 200 x 18 mm <b>N.B.!</b> * 200 mm	771641
	Eaves fixture bracket assembly, complete 90 mm	77153.		Spacer plate wall 45 x 200 x 8 mm	730571
	Eaves fixture bracket 140 mm	76400.		Spacer plate soffit 140 x 90 x 18 mm <b>N.B.!</b> * 200 mm	730801
	Eaves fixture bracket assembly 270 mm	76403.		Spacer plate soffit 140 x 90 x 8 mm	730541
	Angled profile 100 x 100 mm available by the metre undrilled	793800 machine finish 79380.		Spacer plate soffit 145 x 50 x 18 mm <b>N.B.!</b> * 200 mm	730501
	Stand-off tube 45 x 12,5 mm <b>N.B.!</b> * 120 mm	701653 light grey		Spacer plate soffit 145 x 50 x 8 mm	730521
	Flat and angled bracket for eaves fixture	764900 machine finish		Decorative plate for external insulation 85 x 240 x 2 mm	71501.
	Fixture plate for face fixture bracket	78195.		Decorative plate for external insulation 130 x 240 x 2 mm	71502.

. = insert RAL colour code no.

**N.B.!**

We reserve the right to make alterations without giving prior notice.

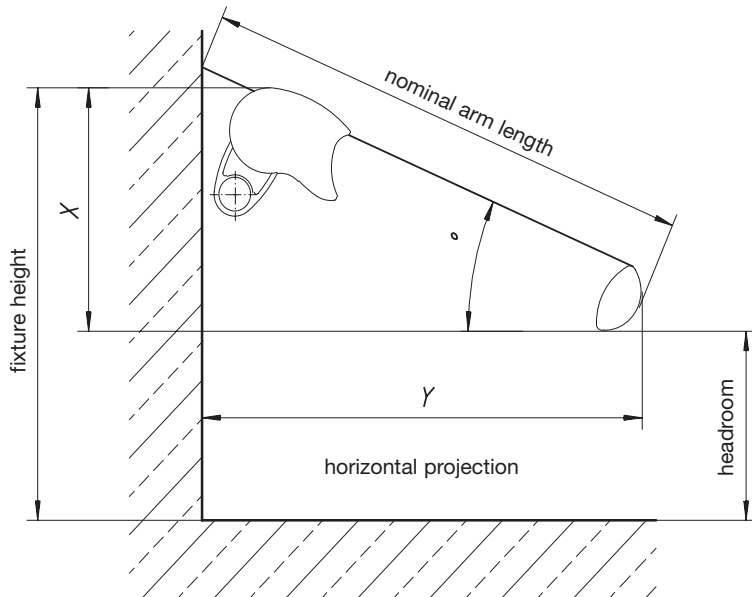
\* Recommended max = xxx mm

# Important measurements for fitting the markilux® 1500

Measurements may vary slightly.

## Angle of pitch / walk-under height

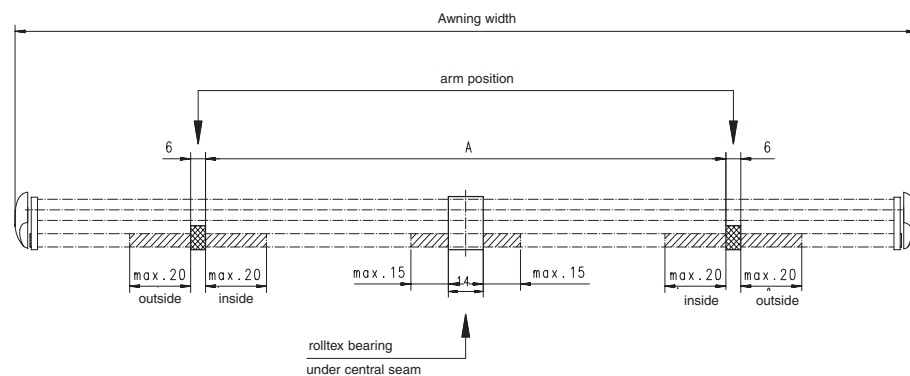
headroom = fixture height - X



pitch α		arm length in cm				
		150	200	250	300	350
5°	X	26	31	35	39	44
	Y	149	200	249	299	349
10°	X	39	48	56	65	74
	Y	149	198	247	296	346
15°	X	51	64	77	90	103
	Y	148	196	244	293	341
20°	X	63	80	97	114	131
	Y	145	192	239	286	333
25°	X	74	95	117	138	159
	Y	141	186	232	277	322
30°	X	85	110	135	160	185
	Y	136	179	223	266	309
35°	X	95	124	153	181	210
	Y	130	171	212	253	294
40°	X	105	137	169	201	233
	Y	124	162	200	239	277
45°	X	113	148	184	219	254
	Y	116	151	187	222	257
50°	X	120	159	197	235	274
	Y	107	140	172	204	236

## Bracket positions

If the brackets cannot be positioned in accordance with this table, make sure the actual measurements are noted on the order form!

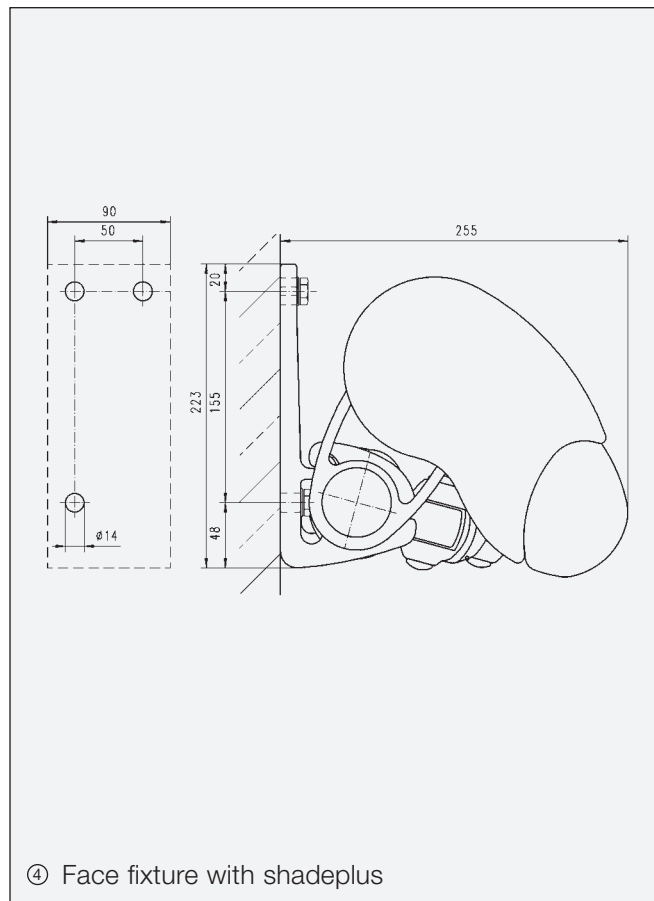
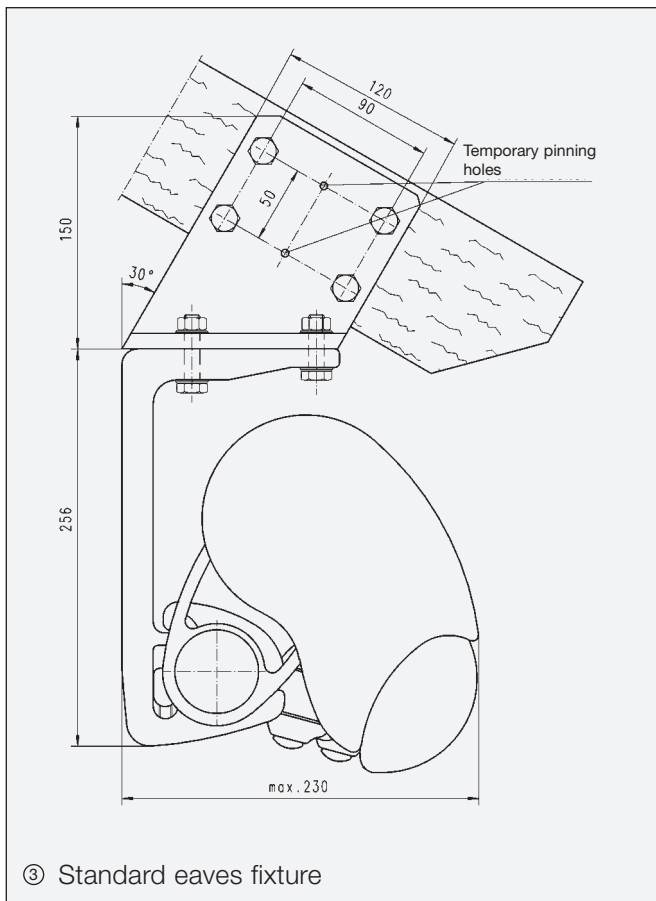
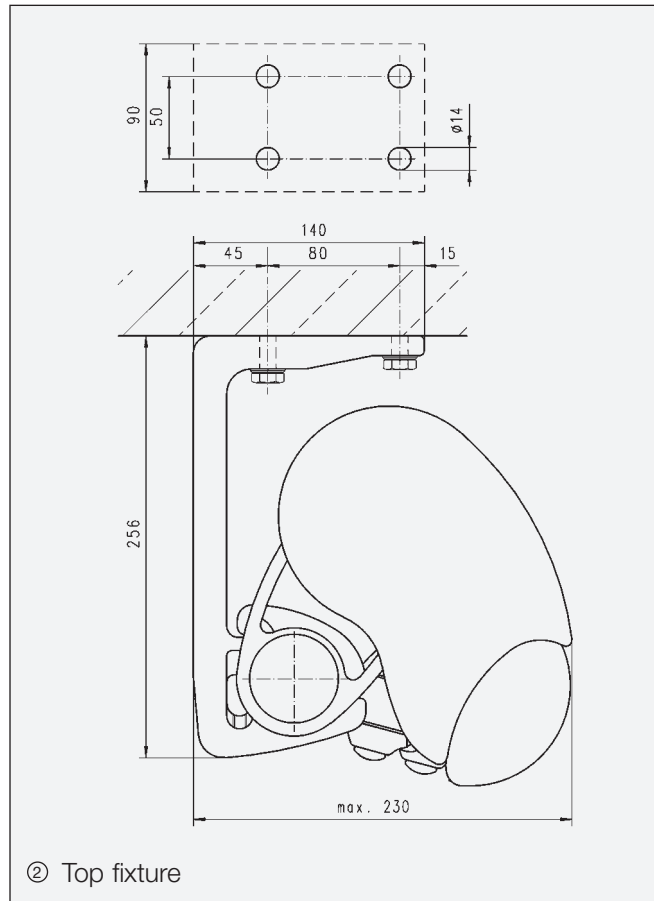
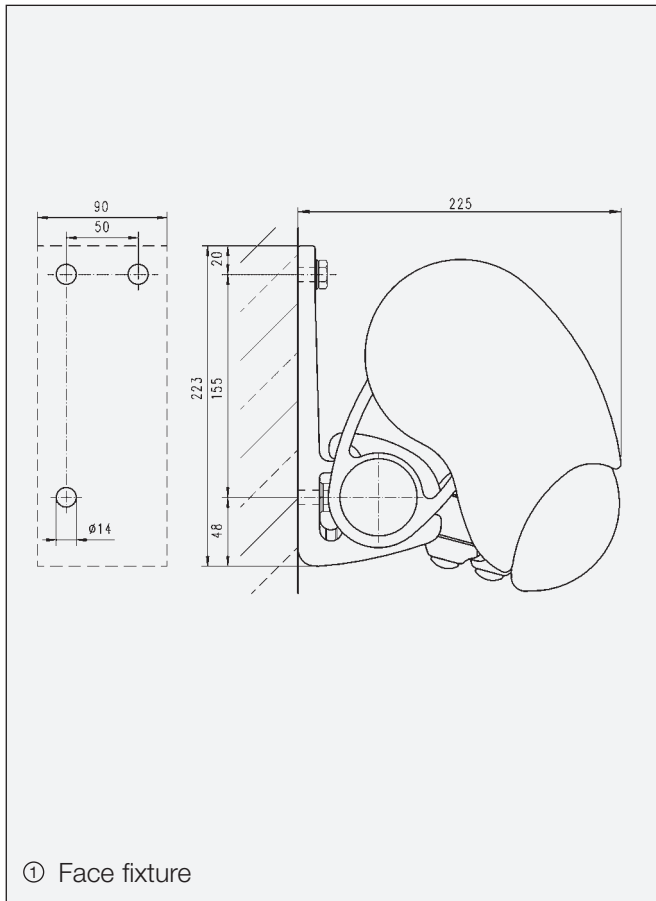


awning width in cm.	arm length in cm.					Brackets
	150	200	250	300	350	
260	(170)	(212)	-	-	-	2
261 - 310	220	(220)	(262)	-	-	2
311 - 360	250	250	(270)	(312)	-	2
361 - 410	280	280	280	(320)	(362)	2
411 - 460	320	320	320	320	(375)	2 3 only at an arm length of 350
461 - 510	390	390	390	390	390	2 3 only from an arm length of 250
511 - 560	425	425	425	425	425	3
561 - 610	460	460	460	460	460	3 5 only at an arm length of 350
611 - 660	500	500	500	500	-	3
minimum width	195	245	295	345	395	3
minimum width	215	265	315	365	415	5

- = range within which brackets should be fixed
- = coupled units cannot be fitted with a jockey roller
- = coupled units can be fitted with a jockey roller where standard sizes are concerned. Please ask in the case of intermediate widths

\* it is particularly important that these measurements are adhered to in the case of these awning sizes!

# How to fit the markilux® 1500:





# How to fit the markilux® 1500:

